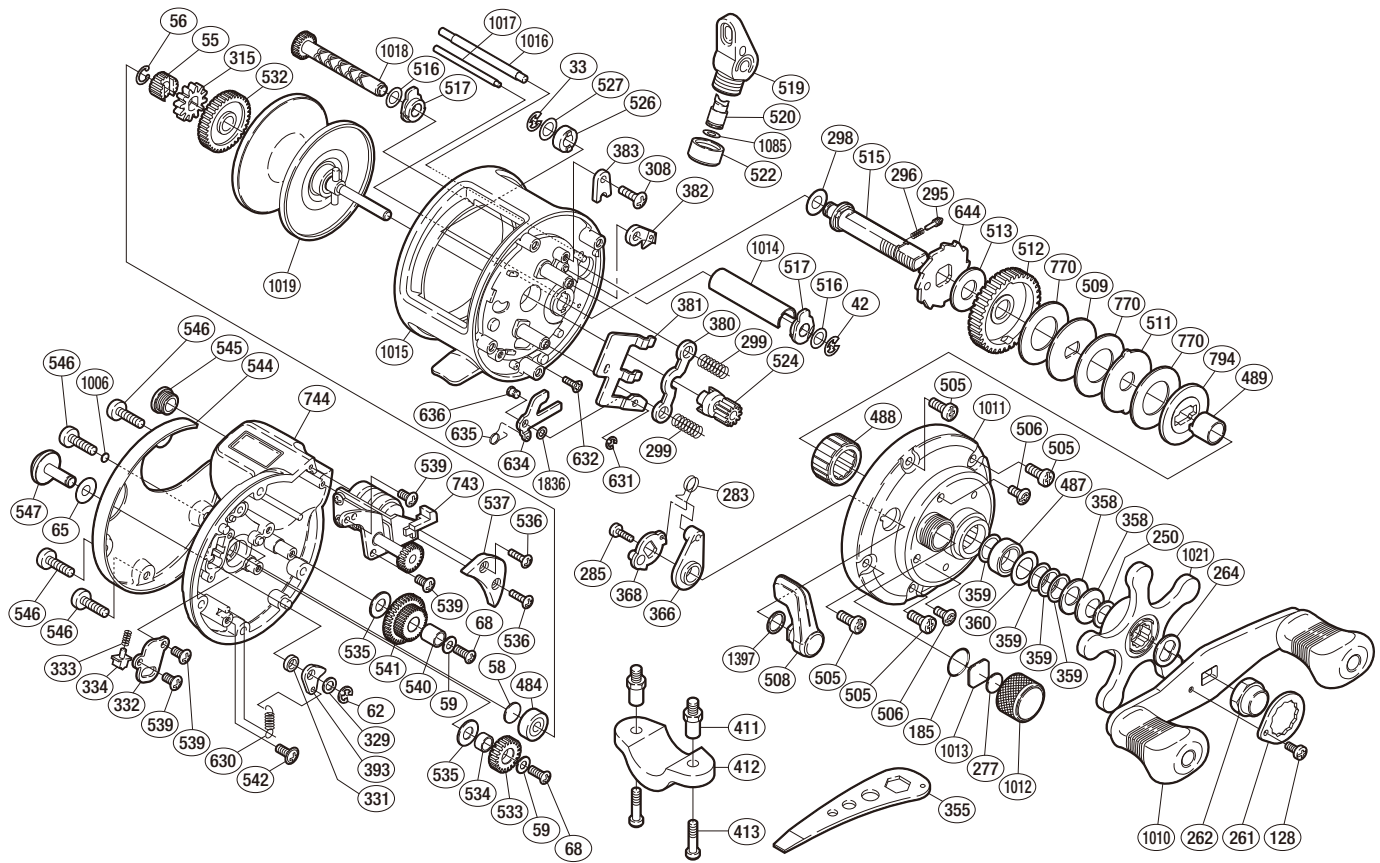


SHIMANO

TEKOTA A-RB

TEK-300LCM



(1RJ220310G)

Part No.	Description	Part No.	Description	Part No.	Description
TGT0033	E Lock	TGT0381	Yoke Plate	TGT0545	Maintenance Cap
TGT0042	E Lock	TGT0382	Anti-Reverse Pawl	TGT0546	Screw
TGT0055	Idle Gear A	TGT0383	Anti-Reverse Pawl Keeper	TGT0547	Click Button
TGT0056	C Lock	TGT0393	Click Pawl	TGT0630	Click Pawl Spring
TGT0058	Spacer B	TGT0484	Ball Bearing	TGT0631	E Lock
TGT0059	Lock Washer	TGT0487	Ball Bearing	TGT0632	Screw
TGT0062	E Lock	TGT0488	Roller Clutch Bearing	TGT0634	Clutch Pawl
TGT0065	Washer	TGT0489	Roller Clutch Inner Tube	TGT0635	Clutch Pawl Spring
TGT0068	Screw	TGT0505	Screw	TGT0636	Clutch Pawl Pin
TGT0128	Screw	TGT0506	Screw	TGT0644	Anti-Reverse Ratchet
TGT0185	O Ring	TGT0508	Clutch Lever	TGT0743	Counter Assembly
TGT0250	Washer	TGT0509	Key Washer	TGT0744	Left Side Plate
TGT0261	Handle Nut Plate	TGT0511	Eared Washer	TGT0770	Drag Washer
TGT0262	Handle Nut	TGT0512	Drive Gear	TGT0794	Key Washer
TGT0264	Drive Shaft Shield	TGT0513	Drag Washer	TGT1006	Spacer
TGT0277	Cast Control Spacer	TGT0515	Drive Shaft	TGT1010	Handle Assembly
TGT0283	Clutch Spring	TGT0516	Washer	TGT1011	Right Side Plate
TGT0285	Screw	TGT0517	Worm Bushing	TGT1012	Cast Control Cap
TGT0295	Click Pin	TGT0519	Line Guide	TGT1013	Spool Tension Spacer
TGT0296	Click Spring	TGT0520	Line Guide Pawl	TGT1014	Level Wind Guard
TGT0298	Washer	TGT0522	Pawl Cap	TGT1015	One-Piece Frame
TGT0299	Yoke Spring	TGT0524	Pinion Gear	TGT1016	Stabilizer Bar A
TGT0308	Screw	TGT0526	Drive Shaft Bushing	TGT1017	Stabilizer Bar B
TGT0315	Click Gear	TGT0527	Spacer	TGT1018	Worm Shaft
TGT0329	Spacer	TGT0532	Counter Gear A	TGT1019	Spool Assembly
TGT0331	Click Pawl Spacer	TGT0533	Idle Gear B	TGT1021	Star Drag
TGT0332	Click Spring Retainer	TGT0534	Idle Gear B Support	TGT1085	Spacer
TGT0333	Click Spring	TGT0535	Spacer	TGT1397	Smoother
TGT0334	Click Spring Holder	TGT0536	Screw	TGT1836	Washer
TGT0358	Coned Disc Spring	TGT0537	Left Side Plate Seal		
TGT0359	Washer	TGT0539	Screw	TGT0411	Rod Clamp Nut (accessory)
TGT0360	Bearing Seal	TGT0540	Idle Gear D Support	TGT0412	Rod Clamp (accessory)
TGT0366	Eccentric Cam Bushing	TGT0541	Idle Gear D	TGT0413	Rod Clamp Bolt (accessory)
TGT0368	Clutch Cam	TGT0542	Screw		
TGT0380	Yoke	TGT0544	Left Side Plate Cover	TGT0355	Wrench (accessory)

(140501)