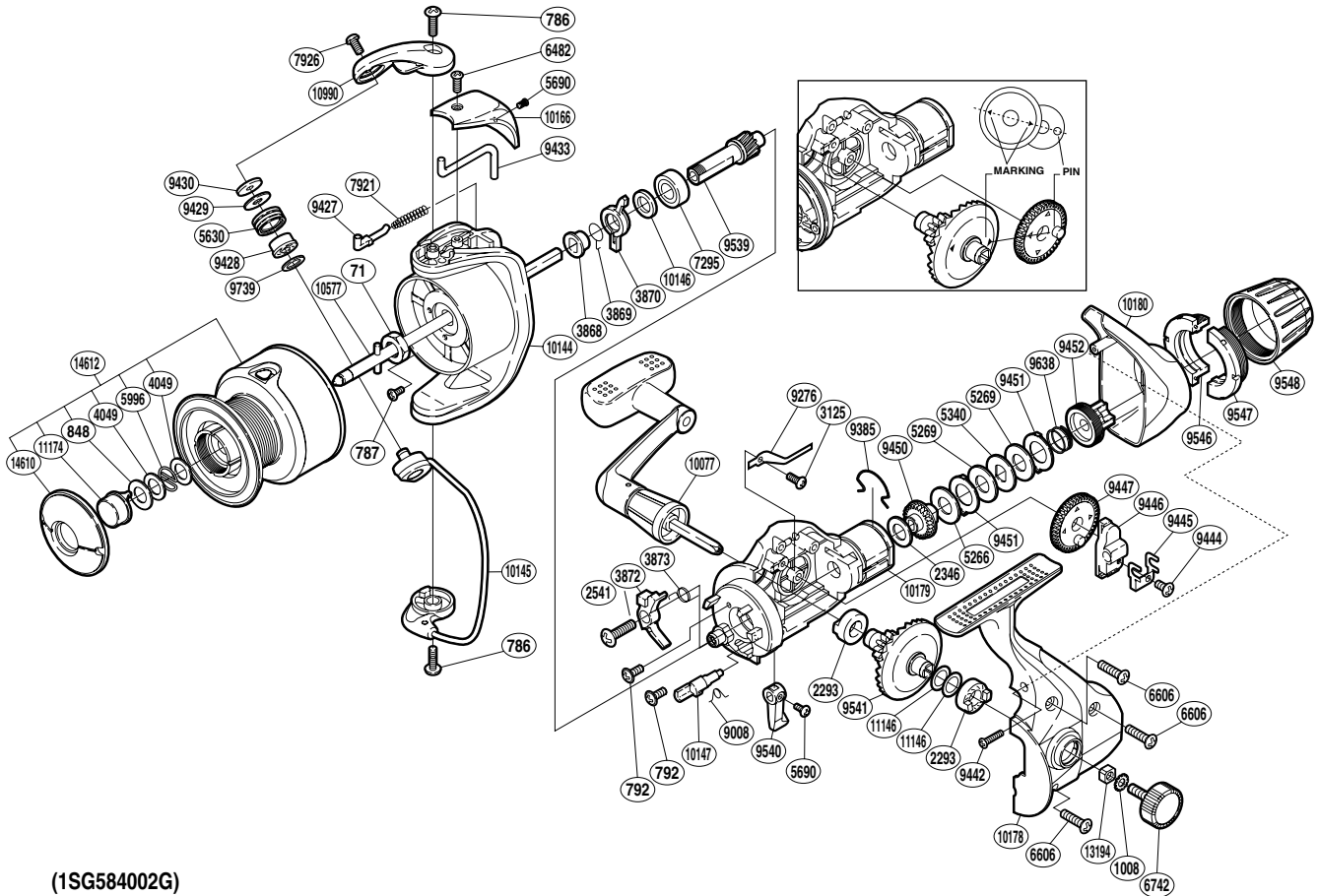


SHIMANO

HYPERLOOP

HL-4000RB



(1SG584002G)

Part No.	Description	Part No.	Description	Part No.	Description
RD 0071	Rotor Nut	RD 6606	Screw	RD 9541	Drive Gear
RD 0786	Screw	RD 6742	Handle Screw Cap	RD 9546	Drag Programmer B1
RD 0787	Screw	RD 7295	Ball Bearing	RD 9547	Drag Programmer B2
RD 0792	Screw	RD 7921	Bail Spring	RD 9548	Drag Programmer A
RD 0848	Washer	RD 7926	Screw	RD 9638	Drag Coil Spring
RD 1008	Handle Lock Washer	RD 9008	Anti-Reverse Cam Spring	RD 9739	Bearing Spacer
RD 2293	Drive Gear Bushing	RD 9276	Drag Click	RD10077	Handle Assembly
RD 2346	Drag Washer	RD 9385	Hold Click Spring	RD10144	Rotor
RD 2541	Screw	RD 9427	Bail Spring Guide	RD10145	Bail Assembly
RD 3125	Screw	RD 9428	Line Roller Bushing	RD10146	Washer
RD 3868	Lock Out Spring Holder	RD 9429	Line Roller Spacer	RD10147	Anti-Reverse Cam
RD 3869	Anti-Reverse Lock Out Spring	RD 9430	Line Roller Washer	RD10166	Bail Spring Cover
RD 3870	Anti-Reverse Lock Out	RD 9433	Bail Trip Lever	RD10178	Side Cover
RD 3872	Anti-Reverse Pawl	RD 9442	Screw	RD10179	Body
RD 3873	Anti-Reverse Pawl Spring	RD 9444	Screw	RD10180	Rear Protector
RD 4049	Washer	RD 9445	Oscillating Slider Retainer	RD10577	Main Shaft
RD 5266	Drag Washer	RD 9446	Oscillating Slider	RD10990	Bail Arm
RD 5269	Drag Washer	RD 9447	Oscillating Gear	RD11146	Washer
RD 5340	Key Washer	RD 9450	Drag Shaft	RD11174	Push Button
RD 5630	Line Roller	RD 9451	Eared Washer	RD13194	Handle Screw Lock
RD 5690	Screw	RD 9452	Pressure Screw	RD14610	Push Button Collar
RD 5996	Washer	RD 9539	Pinion Gear	RD14612	Spool Assembly
RD 6482	Screw	RD 9540	Anti-Reverse Lever		