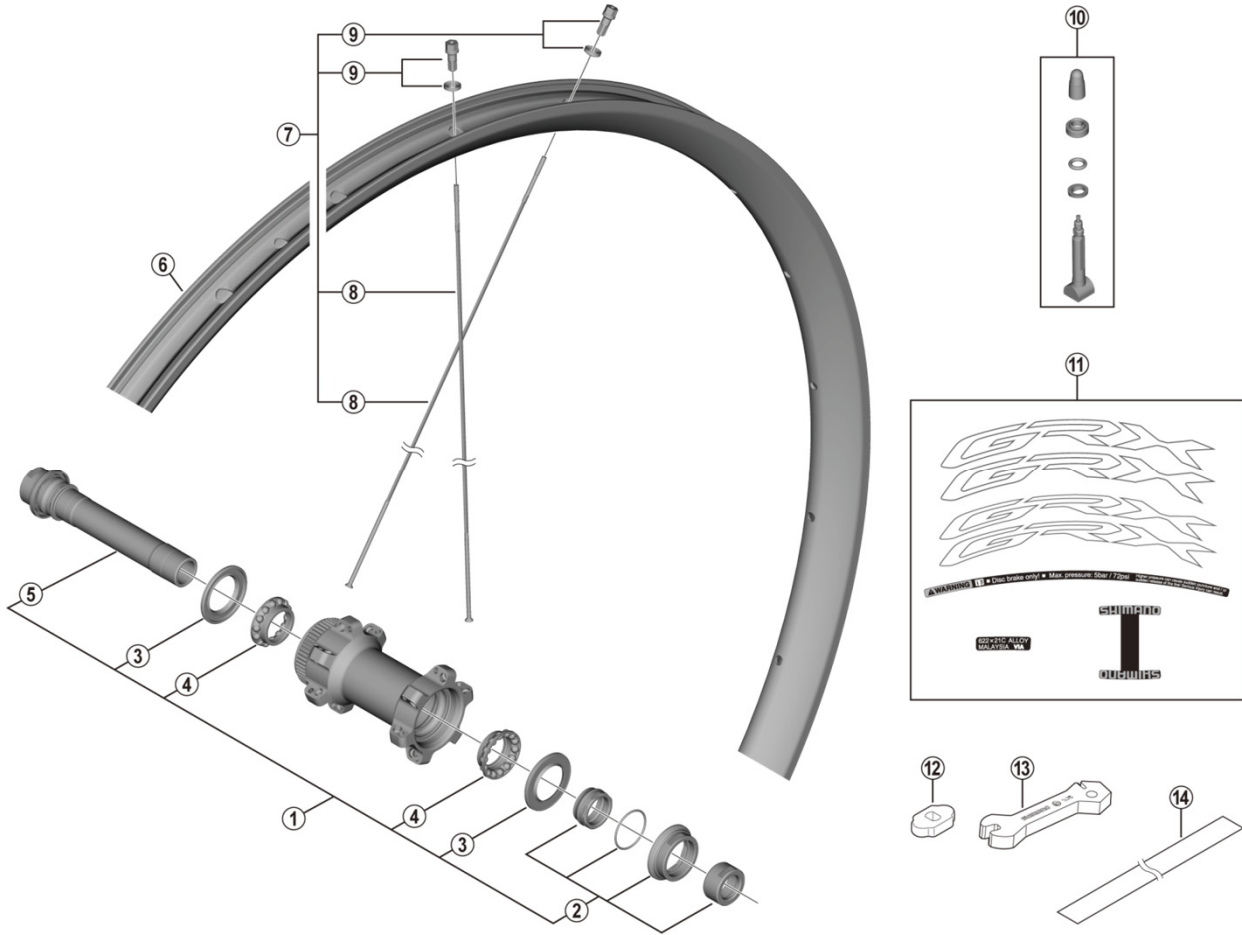


GRX Front Wheel WH-RX570-TL-F12-700C For Disc Brake



• Over Lock Nut Dimension: 100 mm (3-15/16")

ITEM NO.	SHIMANO CODE NO.	DESCRIPTION	INTERCHANGE-ABILITY
1	Y0H198010	Complete Hub Axle	B
2	Y0H198020	Right Hand Lock Nut	B
3	Y26D10000	Seal Ring	A
4	Y0AY98030	Ball Retainer (5/32")	A
5	Y0H198030	Hub Axle Unit	B
* 6	EWHRIMZ2F5S	Rim {24H}	
* 7	EWHSPOKEY273J	Spoke Unit {Spoke (298 mm x 24 pcs.) / Nipple (24 pcs.) / Rim Washer (24 pcs.)}	
* 8	Y0H1S1000	Spoke (298 mm)	
9	Y0H198040	Nipple & Rim Washer	
10	Y0D298060	Valve Unit	
11	Y0H198050	Rim Sticker Unit	
12	Y4RJ10000	VALVE TOOL	
13	Y4SY11000	NIPPLE WRENCH 3.75	A
14	Y0H105810	TUBELESS TAPE(POLYIMIDE)	

A: Same parts.

B: Parts are usable, but differ in materials, appearance, finish, size, etc.

Absence of mark indicates non-interchangeability.

Specifications are subject to change without notice.

WH-RS770-TL-F12

Jan.-2020-4572A

© Shimano Inc. ITP

SHIMANO