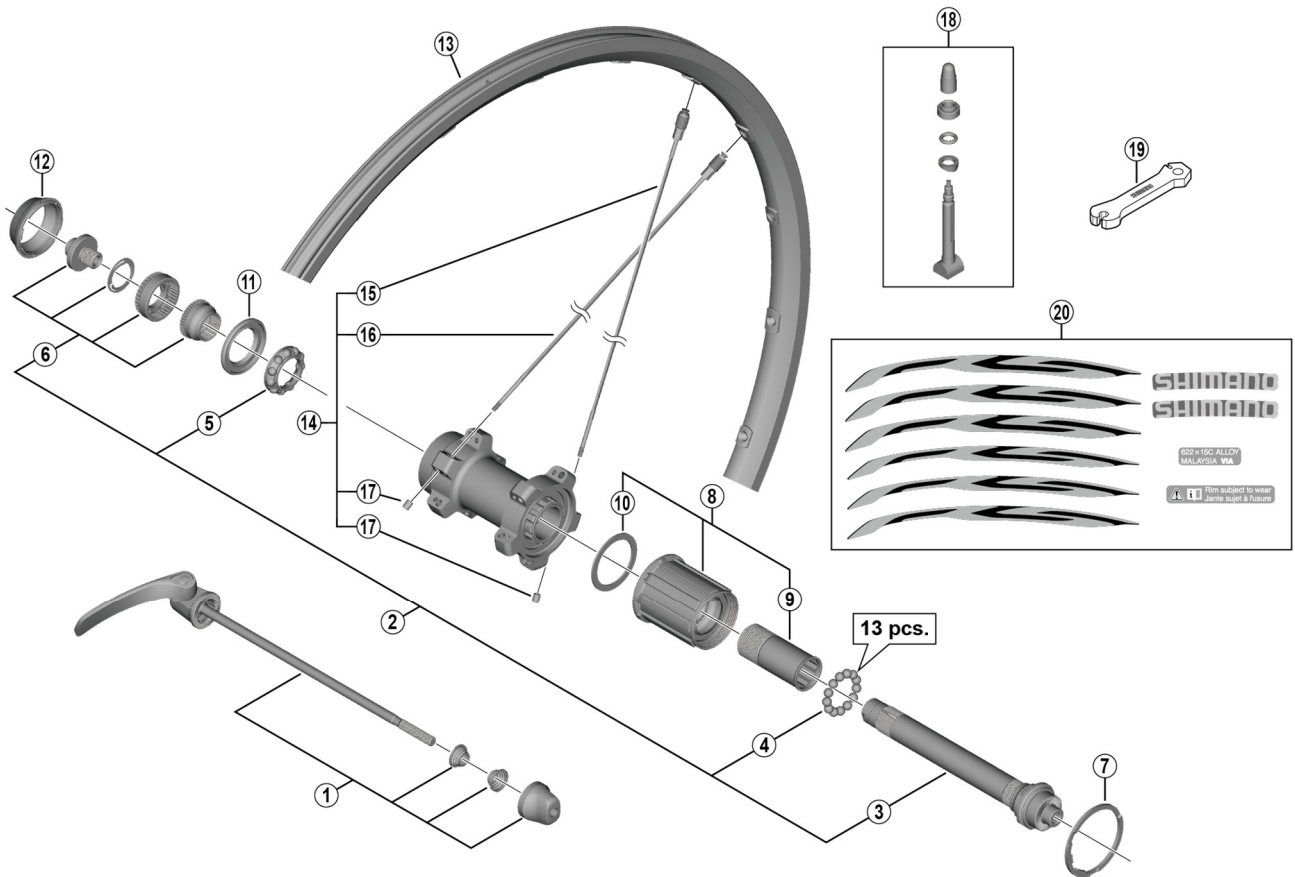


Rear Wheel WH-RS500-TL-R 10/11-speed



• Over Lock Nut Dimension: 130 mm (5-1/8")

ITEM NO.	SHIMANO CODE NO.	DESCRIPTION	INTERCHANGEABILITY
1	Y0E898010	Complete Quick Release 163 mm (6-13/32")	B
	Y0E898020	Complete Quick Release 168 mm (6-5/8")	B
2	Y49398030	Complete Hub Axle	A
3	Y49398040	Hub Axle Unit	A
4	Y00091210	Steel Ball (3/16") 20 pcs.	A
5	Y26J98030	Ball Retainer (3/16")	A
6	Y49398050	Left Hand Lock Bolt Unit	A
7	Y4T724000	Low Spacer (1.85 mm)	A
8	Y49398060	Complete Freewheel Body	A
9	Y3CZ18000	Body Fixing Bolt	A
10	Y3CZ12000	Freewheel Body Washer	A
11	Y28M07000	Seal Ring	A
12	Y3E212000	Left Hand Dust Cover	A
13	EWHRIMZ2F5L	Rim {20H}	
* 14	EWHSPOKEY273C	Spoke Unit {Spoke (303 mm x 10 pcs. & 305 mm x 10 pcs.) / Spoke Plug (20 pcs.) / Washer (20 pcs.) / Hub Nut (20 pcs.)}	
15	Y0E898030	Right Hand Spoke (303 mm) w/Plug & Washer	
16	Y0E898040	Left Hand Spoke (305 mm) w/Plug & Washer	
17	Y4G308000	Hub Nut	A
18	Y4DS98060	Valve Unit	A
19	Y4CK19000	Spoke Plug Wrench	A
20	Y0E898050	Rim Sticker Unit	

A: Same parts.

B: Parts are usable, but differ in materials, appearance, finish, size, etc.

Absence of mark indicates non-interchangeability.

Specifications are subject to change without notice.

WH-RS81-C24-TL

Jan.-2019-4281B

© Shimano Inc. I

SHIMANO