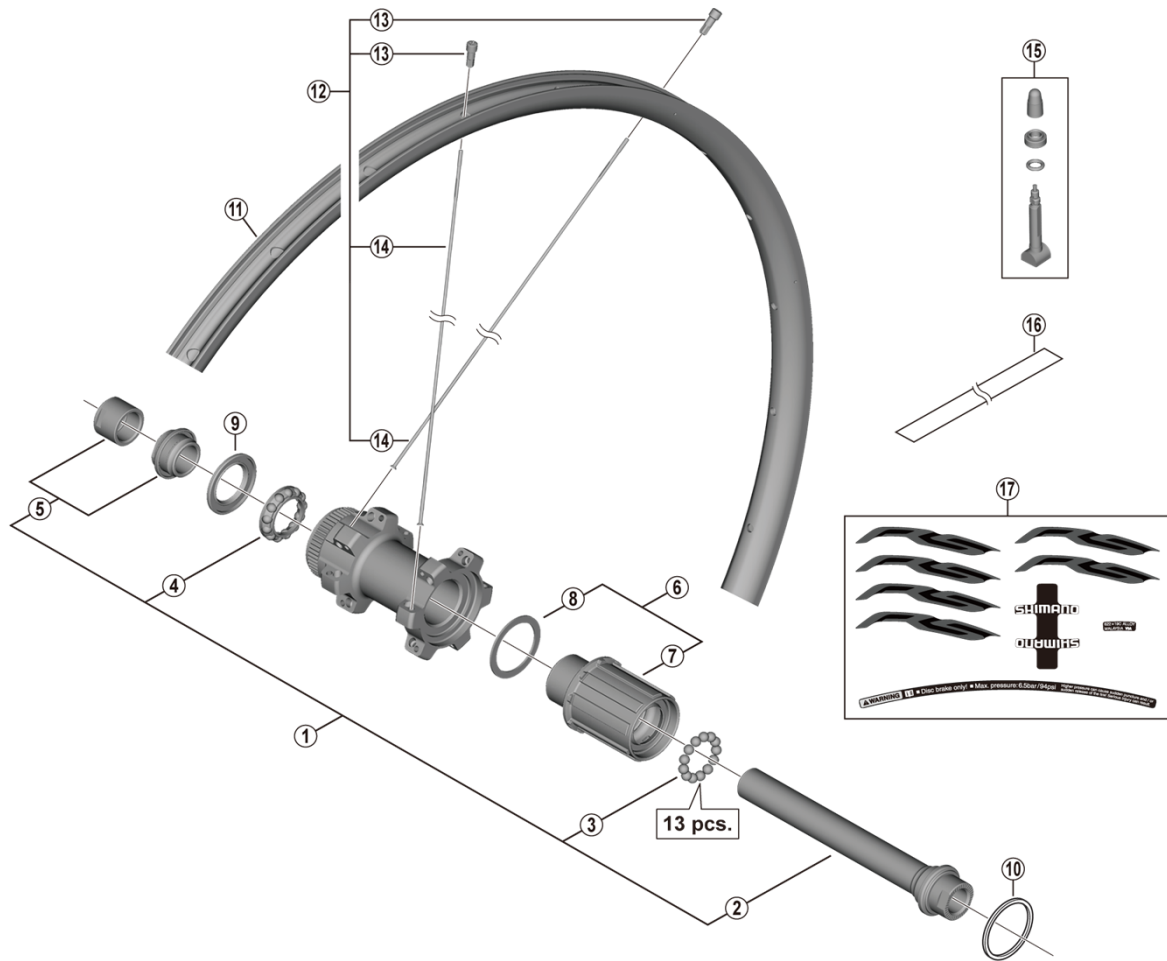


Rear Wheel WH-RS370-TL-R12



• Over Lock Nut Dimension: 142 mm

ITEM NO.	SHIMANO CODE NO.	DESCRIPTION	INTERCHANGEABILITY		
			A	A	
1	Y3TL98010	Complete hub axle	A	A	
2	Y3TL98020	Hub axle	A	A	
3	Y00091210	Steel ball (3/16") 20 pcs.	A	A	
4	Y3D498050	Ball retainer (3/16")	A	A	
5	Y3TL98030	Left hand lock nut (M15) and cone (M15) with dust cover	A	A	
6	Y0FH98010	Complete freewheel body	A	A	
7	Y0FH98020	Freewheel body unit	A	A	
8	Y3CZ12000	Spacer for inner	A	A	
9	Y26D10000	Seal ring	A	A	
10	Y4T724000	Low spacer (1.85 mm)	A	A	
11	-	Rim {24H}			
12	EWHSPOKEY273D	Spoke unit {spoke (300 mm x 24 pcs) / nipple (24 pcs.)}			
13	Y012Z4075	Nipple	A		
14	Y0FHS1000	Spoke (300 mm)			
15	Y4RJ98020	Valve unit			A
* 16	Y0FG98010	Tubeless tape with polyimide tape 2050 mm			
17	Y0FH98030	Rim sticker unit			

A: Same parts.

B: Parts are usable, but differ in materials, appearance, finish, size, etc.

Absence of mark indicates non-interchangeability.

Specifications are subject to change without notice.

WH-RX31-R12

WH-U5000-R12

WH-M8020-TL-R12-B-29

Jan.-2021-4427B

© Shimano Inc. I

SHIMANO