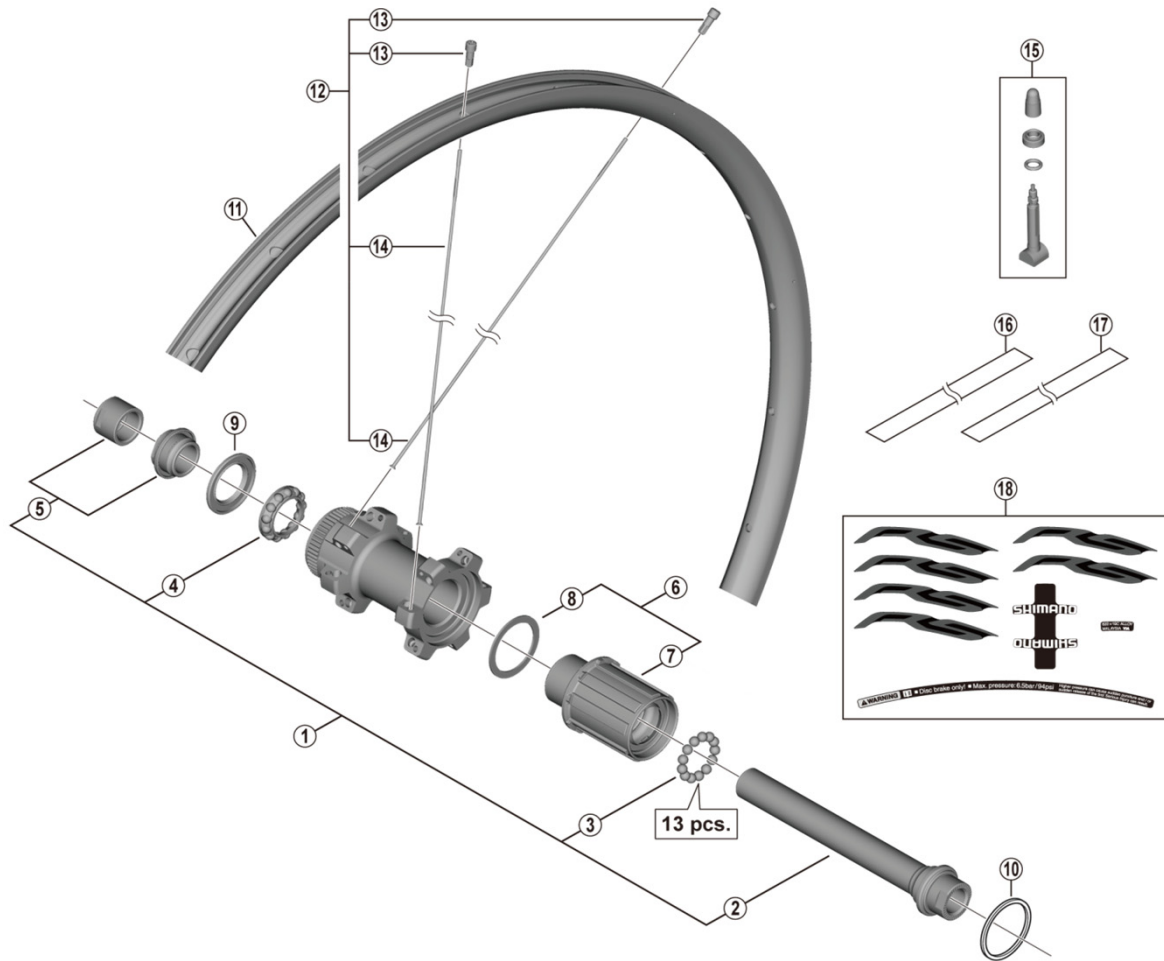


Rear Wheel WH-RS370-TL-R12



• Over Lock Nut Dimension: 142 mm (5-19/32")

ITEM NO.	SHIMANO CODE NO.	DESCRIPTION	INTERCHANGEABILITY		
			WH-RX31-R12	WH-U5000-R12	WH-M8020-TL-R12-B-29
1	Y3TL98010	Complete Hub Axle	A	A	
2	Y3TL98020	Hub Axle	A	A	
3	Y00091210	Steel Ball (3/16") 20 pcs.	A	A	
4	Y3D498050	Ball Retainer (3/16")	A	A	
5	Y3TL98030	Left Hand Lock Nut (M15) & Cone (M15) w/Dust Cover	A	A	
6	Y0FH98010	Complete Freewheel Body	A	A	
7	Y0FH98020	Freewheel Body Unit	A	A	
8	Y3CZ12000	Spacer for Inner	A	A	
9	Y26D10000	Seal Ring	A	A	
10	Y4T724000	Low Spacer (1.85 mm)	A	A	
11	-	Rim {24H}			
12	EWHSPOKEY273D	Spoke Unit {Spoke (300 mm x 24 pcs) / Nipple (24 pcs.)}			
13	Y012Z4075	Nipple	A		
14	Y0FHS1000	Spoke (300 mm)			
15	Y4RJ98020	Valve Unit			A
* 16	Y47V00010	Tubeless Tape			
17	Y0FG07000	Polyimide Tape			
18	Y0FH98030	Rim Sticker Unit			

A: Same parts.

B: Parts are usable, but differ in materials, appearance, finish, size, etc.

Absence of mark indicates non-interchangeability.

Specifications are subject to change without notice.

Apr.-2019-4427A

© Shimano Inc. ITP

SHIMANO