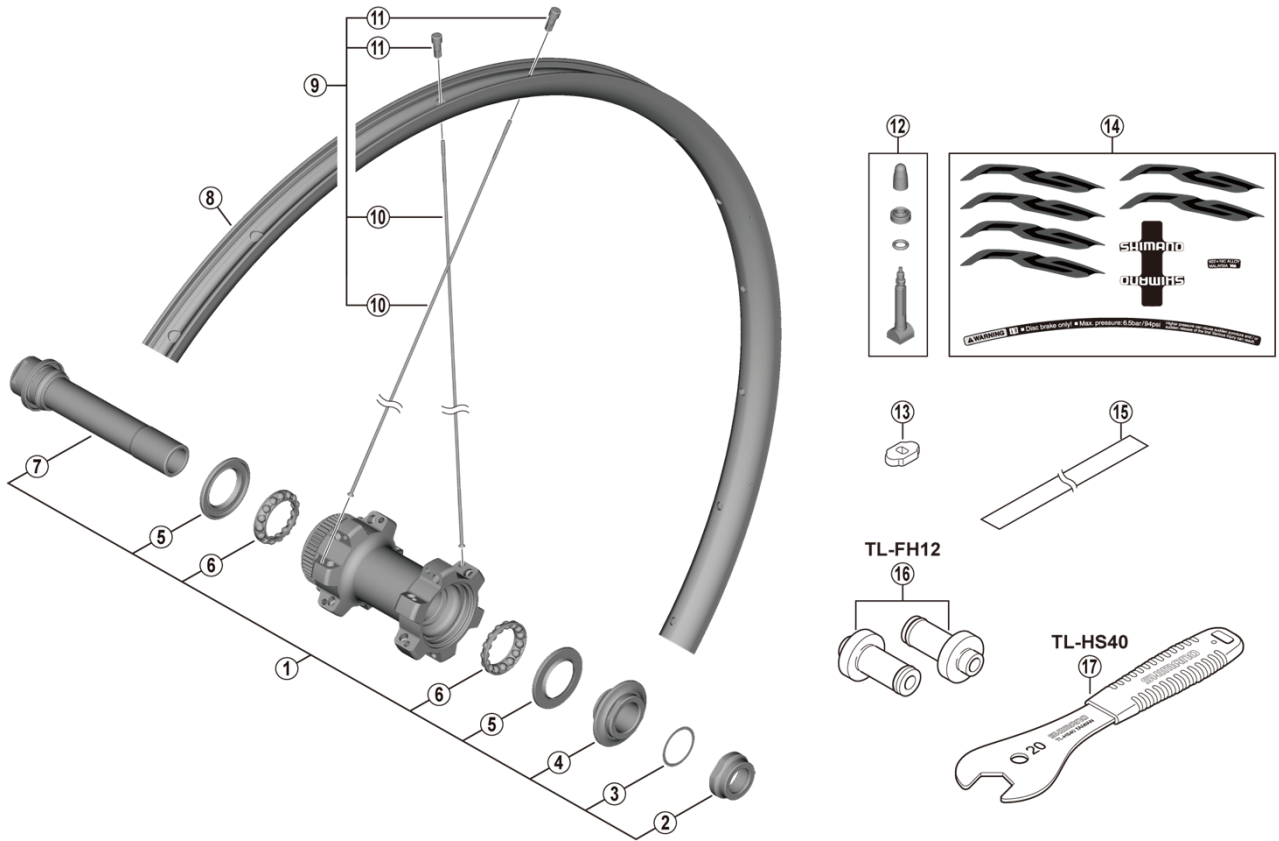


Front Wheel WH-RS370-TL-F12



• Over Lock Nut Dimension: 100 mm

ITEM NO.	SHIMANO CODE NO.	DESCRIPTION	INTERCHANGEABILITY		
			A	A	
1	Y07B98010	Complete hub axle	A	A	
2	Y07B06000	Right hand lock nut	A	A	
3	Y38Z26000	Adjusting washer	A	A	
4	Y07B98020	Right hand cone with dust cap	A	A	
5	Y26D10000	Seal ring	A	A	
6	Y07B98030	Ball retainer (5/32" x 15)	A	A	
7	Y07B98040	Hub axle unit	A	A	
8	-	Rim {24H}			
9	EWHSPOKEY273D	Spoke unit {spoke (300 mm x 24 pcs) / nipple (24 pcs.)}			
10	Y0FHS1000	Spoke (300 mm)			
11	Y012Z4075	Nipple	A		
12	Y4RJ98020	Valve unit			A
13	Y4RJ10000	Valve tool			
14	Y0FH98030	Rim sticker unit			
* 15	Y0FG98010	Tubeless tape with polyimide tape 2050 mm			
16	Y13098011	TL-FH12 Hub setting tool for 12 mm thru-axle	A	A	
17	Y13098320	TL-HS40 Cone adjusting spanner 20 mm	A	A	

A: Same parts.

B: Parts are usable, but differ in materials, appearance, finish, size, etc.

Absence of mark indicates non-interchangeability.

Specifications are subject to change without notice.

WH-RX31-F12
WH-U5000-F12
WH-M8020-TL-R12-B-29

Jan.-2021-4426A

© Shimano Inc. I

SHIMANO