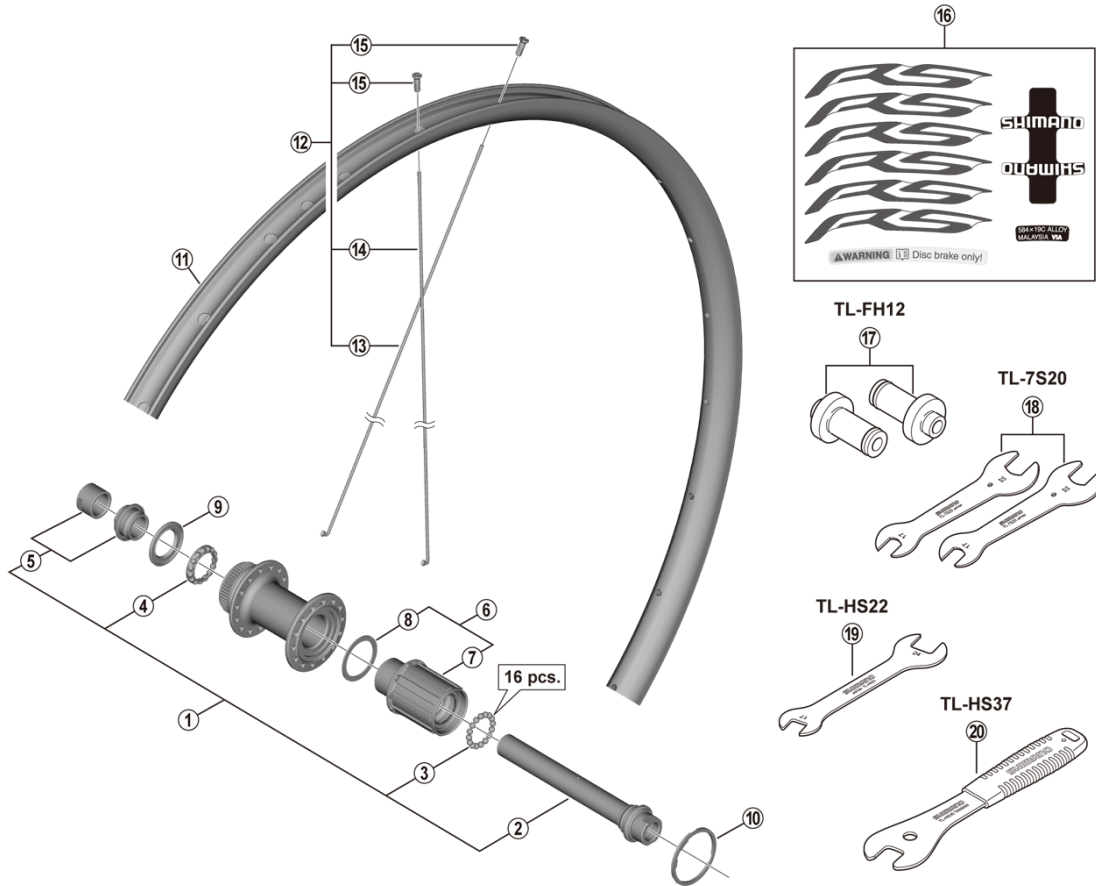


Rear Wheel (10/11-speed)  
**WH-RS171-CL-R12-650B**



• Over Lock Nut Dimension: 142 mm (5-19/32")

ITEM NO.	SHIMANO CODE NO.	DESCRIPTION	INTERCHANGEABILITY	
			WH-RS170-R12	FH-RS470
1	Y3G898010	Complete Hub Axle		A
2	Y3FU98020	Hub Axle		A
3	Y4FE98030	Steel Ball (5/32")	A	A
4	Y0CJ98030	Ball Retainer (5/32")	A	A
5	Y3G898020	Left Hand Lock Nut & Cone w/Dust Cover		A
6	Y3G898030	Complete Freewheel Body		A
7	Y3G898040	Freewheel Body Unit		A
8	Y3CZ12000	SPACER FOR INNER	A	A
9	Y26D10000	Seal Ring	A	A
10	Y4T724000	Low Spacer (1.85 mm)	A	A
11	-	Rim {28H}		
* 12	EWHSPOKEY273P	Spoke Unit {Spoke (271 mm x 14 pcs. / 269 mm x 14 pcs.) / Nipple (28 pcs.)}		
13	Y0HAS1000	Spoke (271 mm)		
14	Y0HBS1000	Spoke (269 mm)		
15	Y012Y4341	Nipple	A	
16	Y0HA98010	Rim Sticker Unit (Standard)		
	Y0HA98020	Rim Sticker Unit (Red)		
	Y0HA98030	Rim Sticker Unit (Blue)		
	Y0HA98040	Rim Sticker Unit (Orange)		
	Y0HA98050	Rim Sticker Unit (Green)		
	Y0HA98060	Rim Sticker Unit (Sky Blue)		
17	Y13098011	TL-FH12 Hub Setting Tool for 12 mm Thru-axle	A	A
18	Y13098900	TL-7S20 Hub Spanner (17 mm x 22 mm) 2 pcs.	A	A
19	Y3C227000	TL-HS22 Hub Spanner (17 mm x 24 mm)	A	A
20	Y23098030	TL-HS37 Hub Spanner 17 mm	A	A

A: Same parts.

B: Parts are usable, but differ in materials, appearance, finish, size, etc.

Absence of mark indicates non-interchangeability.

Specifications are subject to change without notice.

Jan.-2020-4564A

© Shimano Inc. ITP

**SHIMANO**