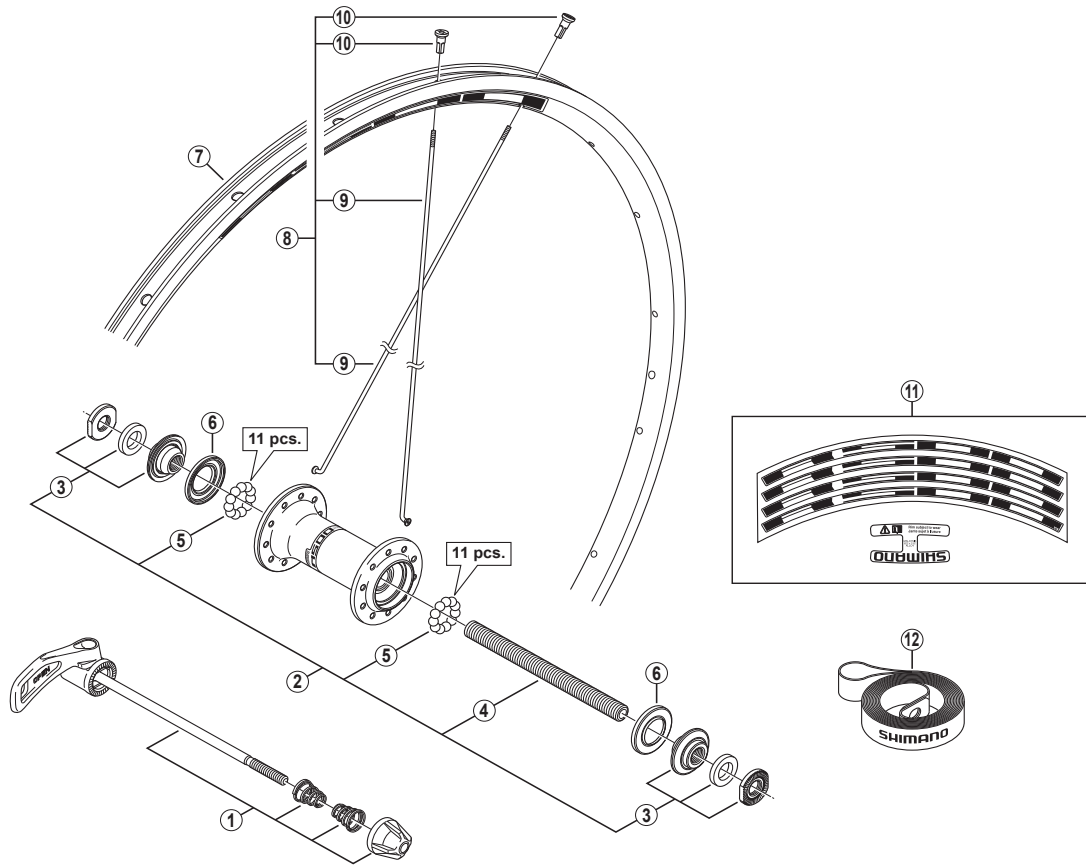


# Front Wheel

## WH-R501-F

## WH-R501-A-F



• Over Lock Nut Dimension: 100 mm (3-15/16")

ITEM NO.	SHIMANO CODE NO.	DESCRIPTION	INTERCHANGEABILITY	
			WH-R500-F	WH-R500-A-F
1	Y4SH98010	Complete Quick Release 129 mm (5-3/32") Black for WH-R501		
	Y4SK98100	Complete Quick Release 133 mm (5-1/4") Black for WH-R501		
	Y4BG98210	Complete Quick Release 133 mm (5-1/4") Silver for WH-R501-A	A	A
2	Y4SK98010	Complete Hub Axle 108 mm (4-1/4")	A	A
3	Y2TA98030	Lock Nut Unit	A	A
4	Y21C03100	Hub Axle M9 x 108 mm (4-1/4")	A	A
5	Y4BB98030	Steel Ball (3/16") 22 pcs.	A	A
6	Y2TA06000	Seal Ring	A	A
7	EWHRIM2UFEBFC	Rim {20H / Black / Rim Sticker: Standard}	A	A
	EWHRIM2UFEBCM	Rim {20H / Black / Rim Sticker: Monotone}		
8	EWHSPOKEPA1	Spoke Unit for WH-R501 {Spoke (278 mm x 20 pcs.) / Nipple (20 pcs.)}		
	EWHSPOKEZA1	Spoke Unit for WH-R501-A {Spoke (278 mm x 20 pcs.) / Nipple (20 pcs.)}		
9	Y0123Z785	Spoke (278 mm) for WH-R501	A	
	Y01234785	Spoke (278 mm/Bladed type) for WH-R501-A		A
10	Y012Y4341	Nipple	A	A
11	Y4SK98020	Rim Sticker Unit (Standard)		
	Y4SK98090	Rim Sticker Unit (Monotone)		
	Y4SK98130	Rim Sticker Unit (Red)		
	Y4SK98140	Rim Sticker Unit (Blue)		
	Y4SK98150	Rim Sticker Unit (Orange)		
	Y4SK98160	Rim Sticker Unit (Green)		
	Y4SK98170	Rim Sticker Unit (Sky Blue)		
Y4SK98180	Rim Sticker Unit (High-Tech Grey)			
12	EWHRIMTAPERA	Rim Tape	A	A

A: Same parts.

B: Parts are usable, but differ in materials, appearance, finish, size, etc.

Absence of mark indicates non-interchangeability.

Specifications are subject to change without notice.

Apr.-2016-3265D

© Shimano Inc. I

# SHIMANO