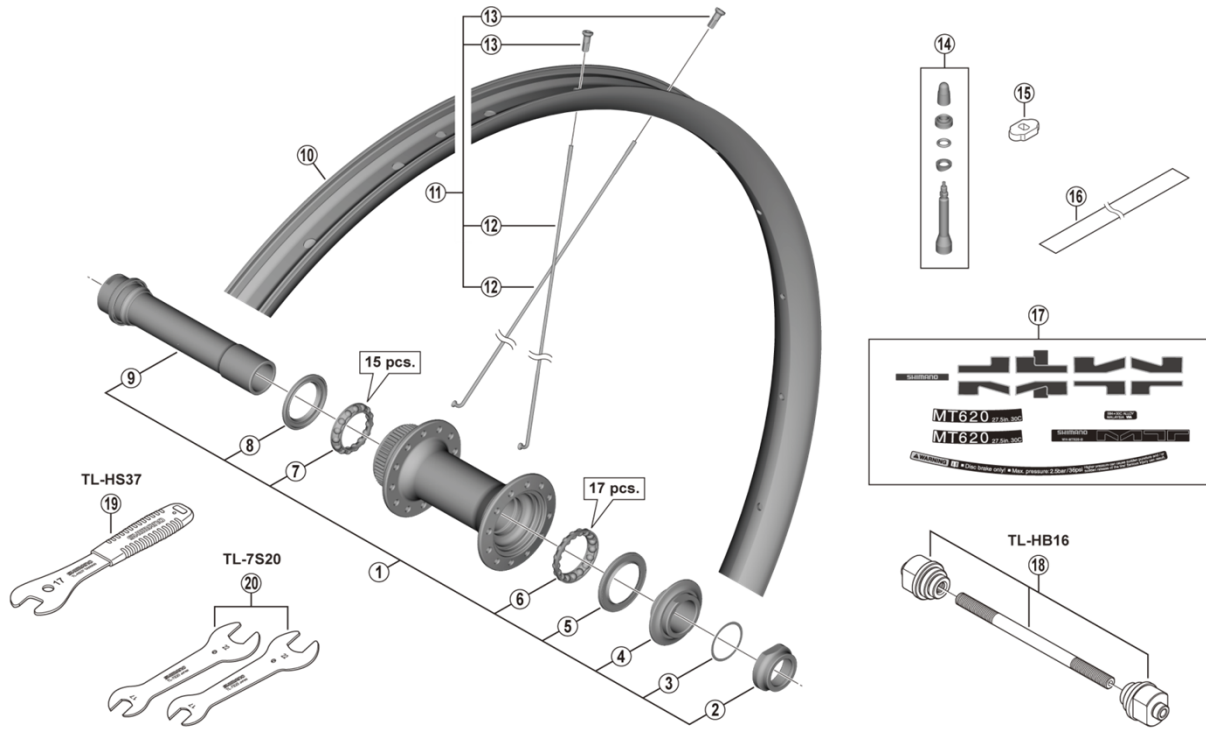


# Front Wheel WH-MT620-TL-F15-B-275 For Disc Brake



• Over Lock Nut Dimension: 110 mm (4-11/32")

ITEM NO.	SHIMANO CODE NO.	DESCRIPTION	INTERCHANGEABILITY
1	Y0G198010	Complete Hub Axle	A
2	Y24612000	Right Hand Lock Nut	A
3	Y24613000	Adjusting Washer	A
4	Y24698040	Right Hand Cone w/Dust Cap	A
5	Y27X15000	Right Hand Seal Ring	A
6	Y27X98030	Right Hand Ball Retainer (5/32" x 17)	A
7	Y27X98040	Left Hand Ball Retainer (5/32" x 15)	A
8	Y27X14000	Left Hand Seal Ring	A
9	Y2AJ98020	Hub Axle Unit	A
10	-	Rim {24H}	
11	-	Spoke Unit {Spoke (273 mm x 24 pcs.) / Nipple (24 pcs.)}	
12	Y0KLS1000	Spoke (273 mm)	
13	Y012Y3352	BRASS NIPPLE 13G	A
14	Y0KL98010	Valve Unit	
15	Y4RJ10000	Valve Tool	A
16	Y0KL00010	Tubeless Tape	
17	Y0KL98020	Rim Sticker Unit	
17	Y0KL98030	Rim Sticker Unit (Red)	
17	Y0KL98040	Rim Sticker Unit (Blue)	
17	Y0KL98050	Rim Sticker Unit (Orange)	
17	Y0KL98060	Rim Sticker Unit (Green)	
17	Y0KL98070	Rim Sticker Unit (Yellow)	
17	Y0KL98080	Rim Sticker Unit (Gray)	
18	Y20W98020	TL-HB16 Hub Setting Tool	A
19	Y23098030	TL-HS37 Hub Spanner (17 mm)	A
20	Y13098900	TL-7S20 Hub Spanner (17 mm x 22 mm) 2 pcs.	A

A: Same parts.

B: Parts are usable, but differ in materials, appearance, finish, size, etc.

Absence of mark indicates non-interchangeability.

Specifications are subject to change without notice.

WHMT500-CL-F15-B-275

Nov.-2019-4566

© Shimano Inc. ITP

# SHIMANO