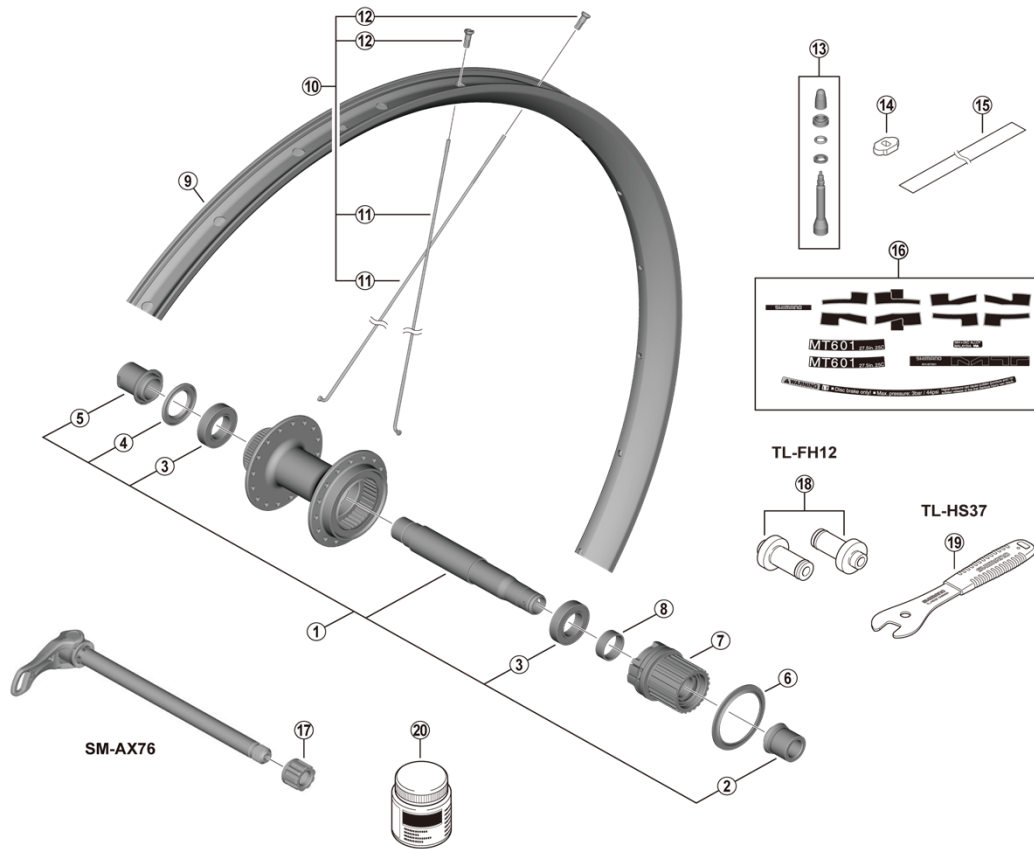


Rear Wheel (12-speed) For Disc Brake
WH-MT601-TL-R12-275
SM-AX76



WH-MT600-TL-R12-275

WH-MT620-TL-R12-B-275

• Over Lock Nut Dimension: 142 mm

ITEM NO.	SHIMANO CODE NO.	DESCRIPTION	INTERCHANGEABILITY	
1	Y3HU98010	Complete Hub Axle		
2	Y3HV98020	Right Hand Cap Unit		
3	Y3HV48000	Ball Bearing		
4	Y26D10000	Seal Ring		
5	Y3HV98030	Left Hand Nut w/Dust Cover	A	A
6	Y3GD10000	Outer Seal Cap		A
7	Y3HV98040	Freewheel Body Unit		B
8	Y3HV47000	Bush		
9	-	Rim {24H}		
10	-	Spoke Unit {Spoke (267.5 mm x 24 pcs.) / Nipple (24 pcs.)}		
11	Y0LLS1000	Spoke (267.5 mm)		
12	Y012Y3352	Nipple		A
13	Y0KL98010	Valve Unit		A
14	Y4RJ10000	Valve Tool	A	A
15	Y48J00010	Tubeless Tape	B	B
16	Y0LL98010	Rim Sticker Unit (Standard)		
	Y0LL98020	Rim Sticker Unit (Red)		
	Y0LL98030	Rim Sticker Unit (Blue)		
	Y0LL98040	Rim Sticker Unit (Orange)		
	Y0LL98050	Rim Sticker Unit (Green)		
	Y0LL98060	Rim Sticker Unit (Yellow)		
17	Y27Y02000	Fixing Nut (M12)		
18	Y13098011	TL-FH12 Hub Setting Tool for 12 mm Thru-axle		
19	Y23098030	TL-HS37 Hub Spanner 17 mm		
20	Y3B980000	Grease for FREEHUB 50g		

A: Same parts.

B: Parts are usable, but differ in materials, appearance, finish, size, etc.

Absence of mark indicates non-interchangeability.

Specifications are subject to change without notice.

Jun.-2020-4734

© Shimano Inc. |

SHIMANO