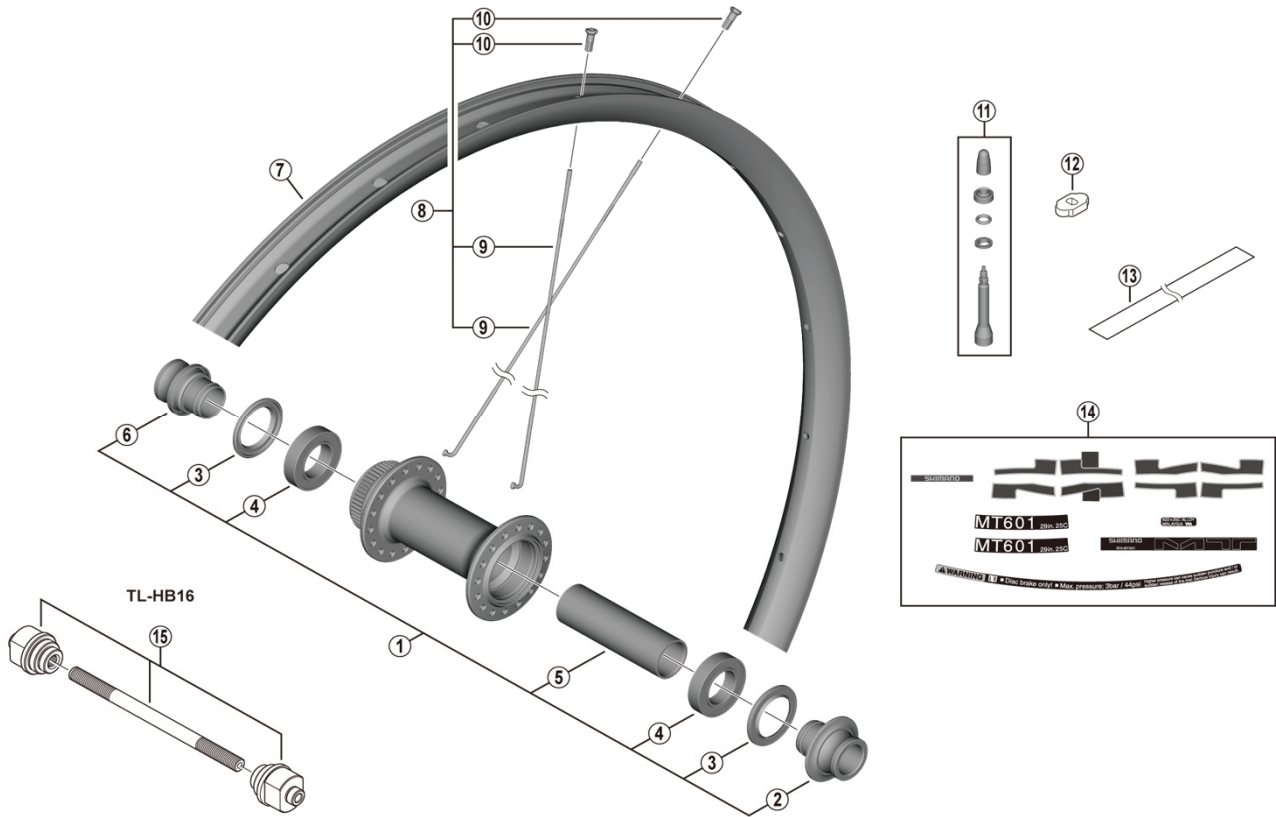


Front Wheel WH-MT601-TL-F15-29 For Disc Brake



• Over Lock Nut Dimension: 100 mm

ITEM NO.	SHIMANO CODE NO.	DESCRIPTION	INTERCHANGEABILITY	
1	Y2GX98010	Complete Hub Axle		
2	Y2GY98020	Right Hand Axle Cap Unit		
3	Y27X14000	Seal Ring	A	A
4	Y2GY25000	Ball Bearing		
5	Y2GX22000	Bush		
6	Y2GY98030	Left Hand Axle Cap Unit		
7	-	Rim {24H}		
8	-	Spoke Unit {Spoke (290 mm x 24 pcs.) / Nipple (24 pcs.)}		
9	Y0LSS1000	Spoke (290 mm)		
10	Y012Y3352	Nipple		A
11	Y0KL98010	Valve Unit		A
12	Y4RJ10000	Valve Tool	A	A
13	Y48F00010	Tubeless Tape	B	B
14	Y0LS98010	Rim Sticker Unit (Standard)		
	Y0LS98020	Rim Sticker Unit (Red)		
	Y0LS98030	Rim Sticker Unit (Blue)		
	Y0LS98040	Rim Sticker Unit (Orange)		
	Y0LS98050	Rim Sticker Unit (Green)		
	Y0LS98060	Rim Sticker Unit (Yellow)		
	Y0LS98070	Rim Sticker Unit (Gray)		
15	Y20W98020	TL-HB16 Hub Setting Tool		

A: Same parts.

B: Parts are usable, but differ in materials, appearance, finish, size, etc.

Absence of mark indicates non-interchangeability.

Specifications are subject to change without notice.

WH-MT600-TL-F15-29

WH-MT620-TL-F15-29

Jun.-2020-4731

© Shimano Inc. I

SHIMANO