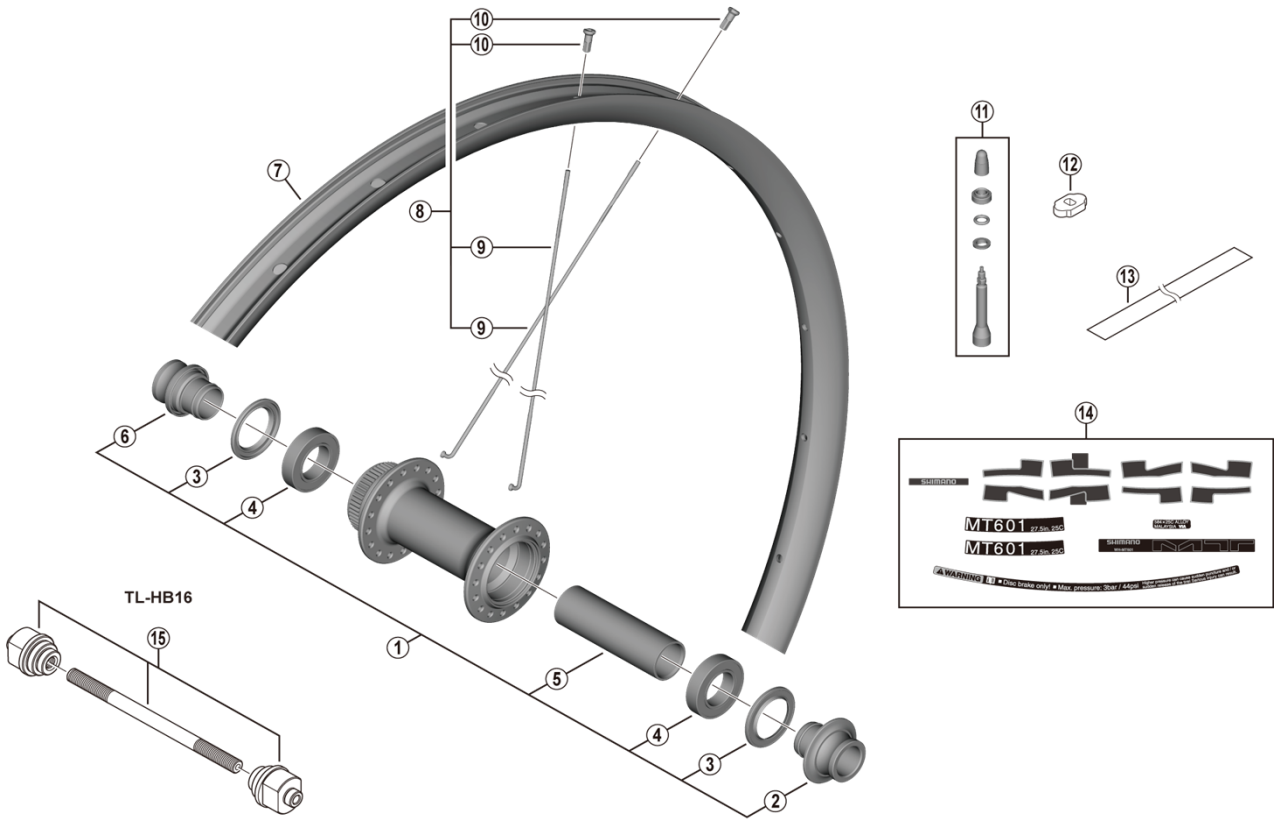


Front Wheel WH-MT601-TL-F15-275 For Disc Brake



WH-MT600-TL-F15-275

WH-MT620-TL-F15-B-275

• Over Lock Nut Dimension: 100 mm

ITEM NO.	SHIMANO CODE NO.	DESCRIPTION	INTERCHANGEABILITY	
1	Y2GX98010	Complete Hub Axle		
2	Y2GY98020	Right Hand Axle Cap Unit		
3	Y27X14000	Seal Ring	A	A
4	Y2GY25000	Ball Bearing		
5	Y2GX22000	Bush		
6	Y2GY98030	Left Hand Axle Cap Unit		
7	-	Rim {24H}		
8	-	Spoke Unit {Spoke (272 mm x 24 pcs.) / Nipple (24 pcs.)}		
9	Y0LKS1000	Spoke (272 mm)		
10	Y012Y3352	Nipple		A
11	Y0KL98010	Valve Unit		A
12	Y4RJ10000	Valve Tool	A	A
13	Y48J00010	Tubeless Tape	B	B
14	Y0LK98010	Rim Sticker Unit (Standard)		
	Y0LK98020	Rim Sticker Unit (Red)		
	Y0LK98030	Rim Sticker Unit (Blue)		
	Y0LK98040	Rim Sticker Unit (Orange)		
	Y0LK98050	Rim Sticker Unit (Green)		
	Y0LK98060	Rim Sticker Unit (Yellow)		
	Y0LK98070	Rim Sticker Unit (Gray)		
15	Y20W98020	TL-HB16 Hub Setting Tool		

A: Same parts.

B: Parts are usable, but differ in materials, appearance, finish, size, etc.

Absence of mark indicates non-interchangeability.

Specifications are subject to change without notice.

Jul.-2020-4730

© Shimano Inc. |

SHIMANO