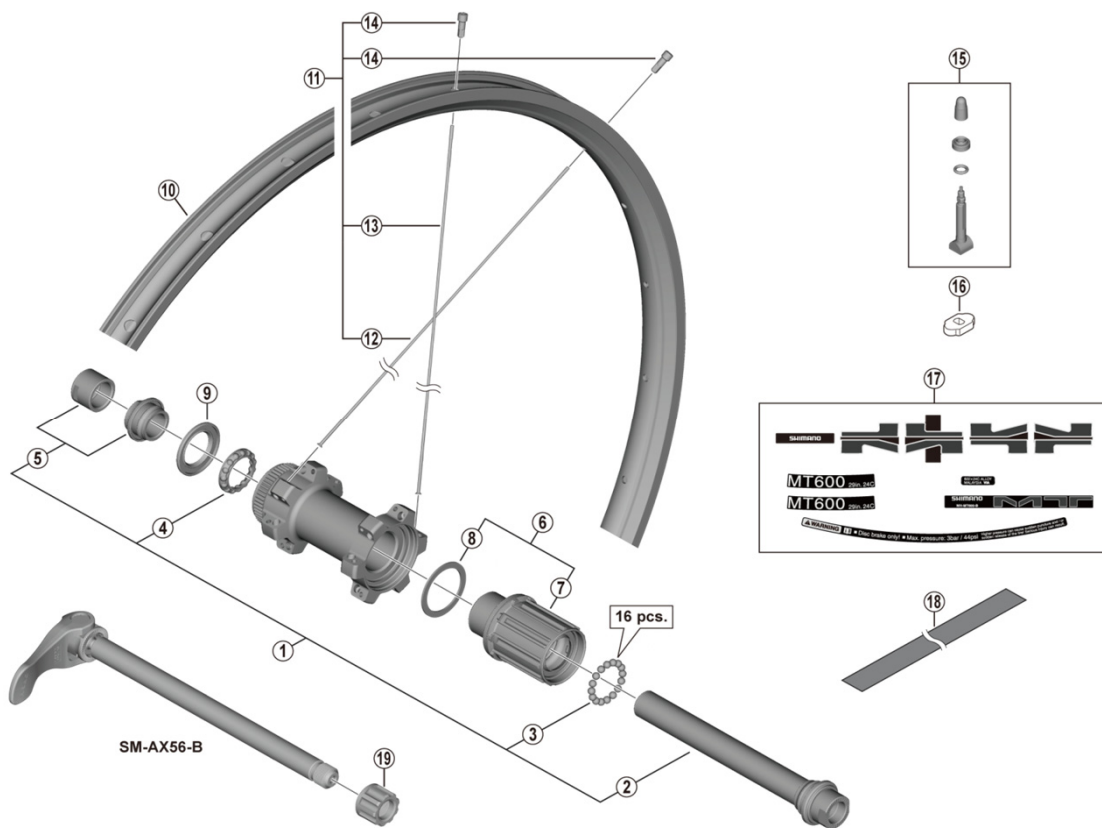


# Rear Wheel

## WH-MT600-TL-R12-B-29

### SM-AX56-B



WH-MT500-CL-R12-B-29

• Over Lock Nut Dimension: 148 mm

ITEM NO.	SHIMANO CODE NO.	DESCRIPTION	INTERCHANGEABILITY		
			A	B	
* 1	Y0EY98010	Complete Hub Axle	A		
* 2	Y0EY98020	Hub Axle Unit	A		
3	Y4FE98030	Steel Ball (5/32") 34 pcs.	A		
4	Y0CJ98030	Ball Retainer (5/32" x 15)	A		
5	Y0CK98030	Left Hand Lock Nut & Cone w/Dust Cover	A		
* 6	Y0ES98030	Complete Freewheel Body	A		
* 7	Y0ES98040	Freewheel Body Unit	A		
8	Y3CZ12000	Freewheel Body Washer	A		
9	Y26D10000	Seal Ring	A		
10	-	Rim {24H}			
11	-	Spoke Unit {Spoke (300 mm x 12 pcs. / 298.5 mm x 12 pcs.) / Nipple (24 pcs.)}			
12	Y4RJS3000	Left Hand Spoke (300 mm)			
13	Y0G2S1000	Right Hand Spoke (298.5 mm)			
14	Y012Z4075	Nipple			
15	Y4RJ98020	Valve Unit			
16	Y4RJ10000	Valve tool			
17	Y0G298010	Rim Sticker Unit			
	Y0G298020	Rim Sticker Unit (Red)			
	Y0G298030	Rim Sticker Unit (Blue)			
	Y0G298040	Rim Sticker Unit (Orange)			
	Y0G298050	Rim Sticker Unit (Green)			
	Y0G298060	Rim Sticker Unit (Yellow)			
	Y0G298070	Rim Sticker Unit (Gray)			
18	Y48F00010	Tubeless Tape			
19	Y27Y02000	Fixing Nut (M12)			

A: Same parts.

B: Parts are usable, but differ in materials, appearance, finish, size, etc.

Absence of mark indicates non-interchangeability.

Specifications are subject to change without notice.

May-2020-4425A

© Shimano Inc. I

# SHIMANO