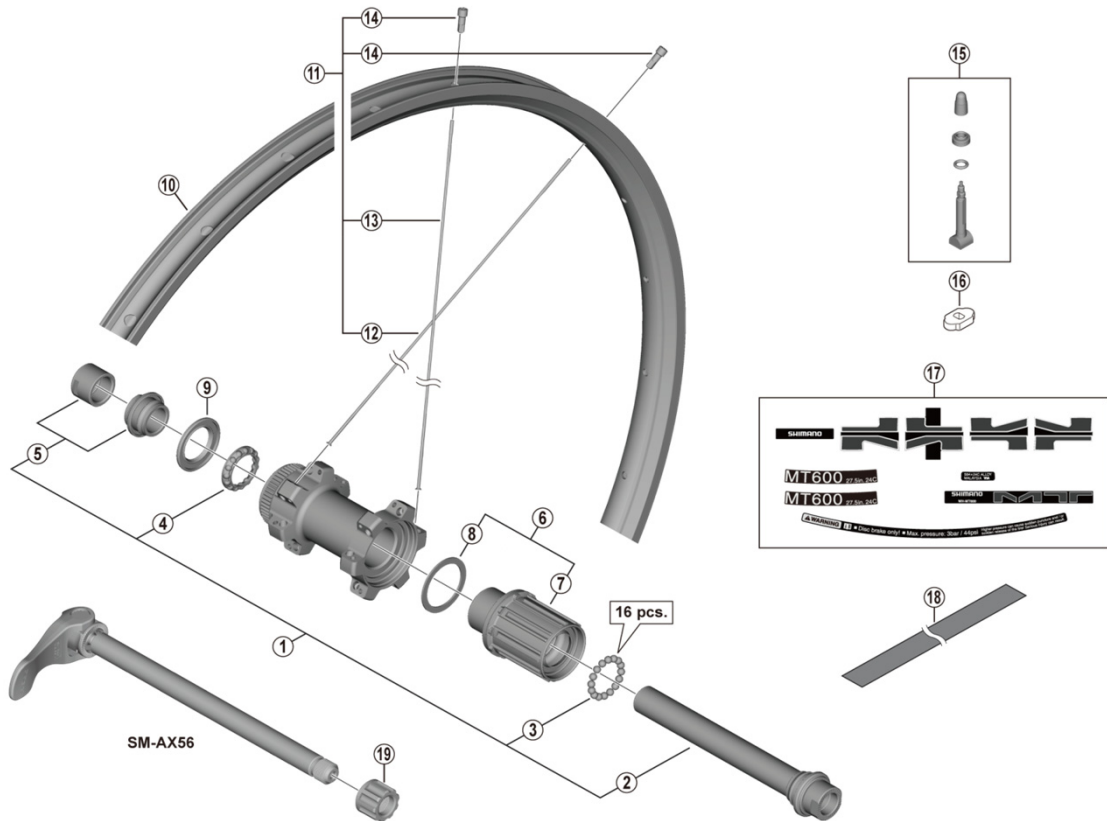


Rear Wheel

WH-MT600-TL-R12-275

SM-AX56



WH-MT500-CL-R12-275

• Over Lock Nut Dimension: 142 mm

ITEM NO.	SHIMANO CODE NO.	DESCRIPTION	INTERCHANGEABILITY	
1	Y0ES98010	Complete Hub Axle	A	
2	Y0ES98020	Hub Axle Unit	A	
3	Y4FE98030	Steel Ball (5/32") 34 pcs.	A	
4	Y0CJ98030	Ball Retainer (5/32" x 15)	A	
5	Y0CK98030	Left Hand Lock Nut & Cone w/Dust Cover	A	
* 6	Y0ES98030	Complete Freewheel Body	A	
* 7	Y0ES98040	Freewheel Body Unit	A	
8	Y3CZ12000	Freewheel Body Washer	A	
9	Y26D10000	Seal Ring	A	
10	-	Rim {24H}		
11	-	Spoke Unit {Spoke (279 mm x 12 pcs. / 281 mm x 12 pcs.) / Nipple (24 pcs.)}		
12	Y0G2S3000	Left Hand Spoke (279 mm)		
13	Y0G2S2000	Right Hand Spoke (281 mm)		
14	Y012Z4075	Nipple		
15	Y4RJ98020	Valve Unit		
16	Y4RJ10000	Valve tool		
17	Y0FT98030	Rim Sticker Unit		
	Y0FT98040	Rim Sticker Unit (Red)		
	Y0FT98050	Rim Sticker Unit (Blue)		
	Y0FT98060	Rim Sticker Unit (Orange)		
	Y0FT98070	Rim Sticker Unit (Green)		
	Y0FT98080	Rim Sticker Unit (Yellow)		
18	Y48J00010	Tubeless Tape		
19	Y27Y02000	Fixing Nut (M12)		

A: Same parts.

B: Parts are usable, but differ in materials, appearance, finish, size, etc.

Absence of mark indicates non-interchangeability.

Specifications are subject to change without notice.

May-2020-4422A

© Shimano Inc. I

SHIMANO