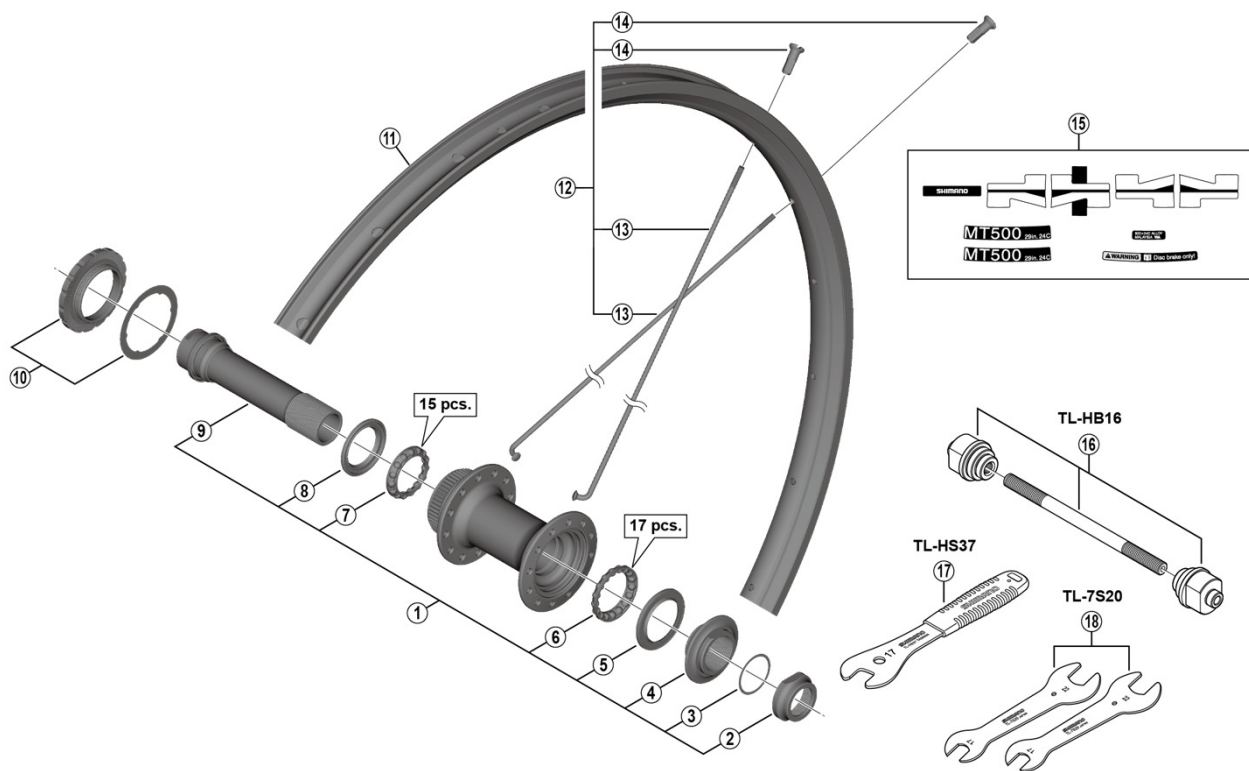


# Front Wheel WH-MT500-CL-F15-29



• Over Lock Nut Dimension: 100 mm

ITEM NO.	SHIMANO CODE NO.	DESCRIPTION	INTERCHANGEABILITY		
			A	A	B
1	Y24698010	Complete hub axle	A	A	
2	Y24612000	Right hand lock nut	A	A	B
3	Y24613000	Adjusting washer	A	A	A
4	Y24698040	Right hand cone with dust cap	A	A	
5	Y27X15000	Right hand seal ring	A	A	A
6	Y27X98030	Right hand ball retainer (5/32" x 17)	A	A	A
7	Y27X98040	Left hand ball retainer (5/32" x 15)	A	A	A
8	Y27X14000	Left hand seal ring	A	A	A
9	Y24698020	Hub axle unit	A	A	B
10	Y24698030	Lock ring and washer	A	A	B
11	-	Rim {24H}			
* 12	EWHSPOKEY274E	Spoke unit {spoke (290 mm x 24 pcs.) / nipple (24 pcs.)}			
13	Y0ERS2000	Spoke (290 mm)			
14	Y012Y3352	Nipple			
15	Y0ER98010	Rim sticker unit			
16	Y20W98020	TL-HB16 Hub setting tool	A	A	A
17	Y23098030	TL-HS37 Hub spanner (17 mm)	A	A	A
18	Y13098900	TL-7S20 Hub spanner (17 mm x 22 mm) 2 pcs.	A	A	A

A: Same parts.

B: Parts are usable, but differ in materials, appearance, finish, size, etc.

Absence of mark indicates non-interchangeability.

Specifications are subject to change without notice.

WH-MT15-A-CL-F15-29

WH-MT35-CL-F15-29

WH-M8020-TL-F15-29

Apr.-2021-4314A

© Shimano Inc. I

# SHIMANO