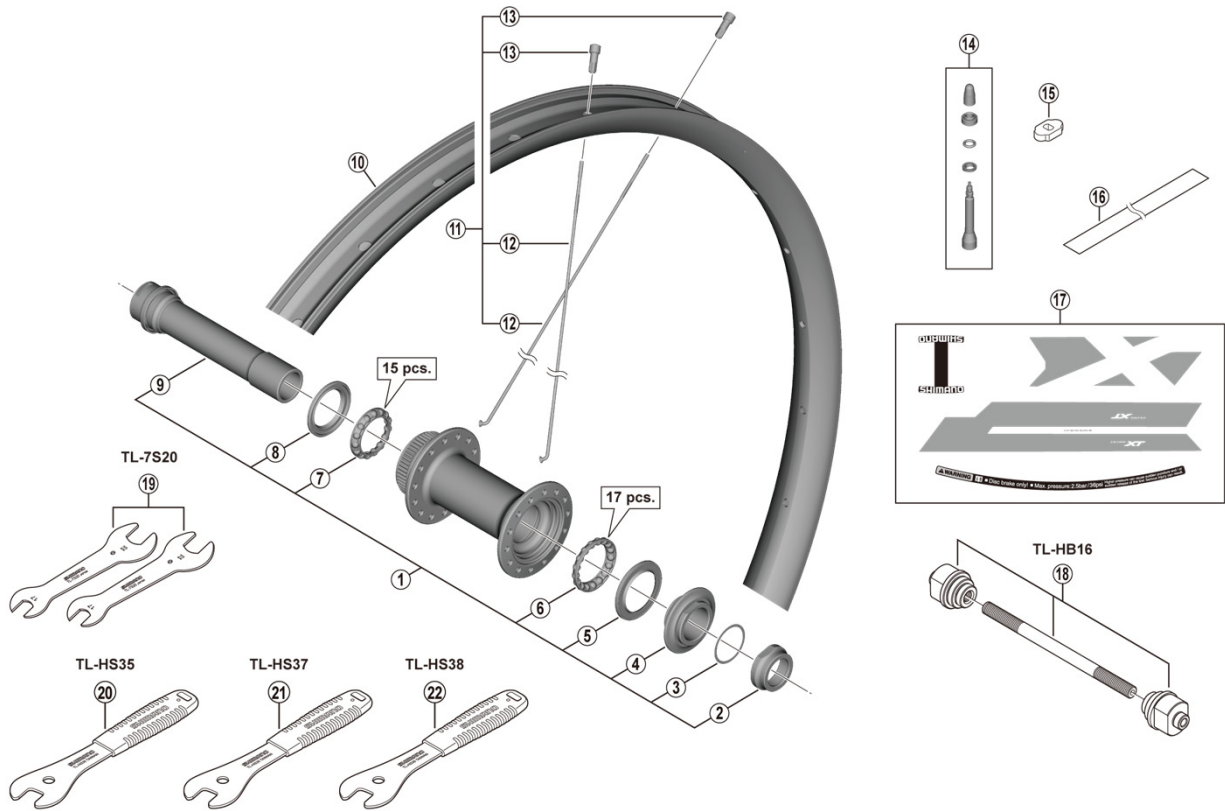


DEORE XT Front Wheel  
**WH-M8120**-TL-F15-B-29 For Disc Brake



• Over Lock Nut Dimension: 110 mm

| ITEM NO. | SHIMANO CODE NO. | DESCRIPTION  |
|----------|------------------|--|
| 1        | Y2CZ98010        | Complete hub axle  |
| 2        | Y2A500050        | Right hand lock nut                                      |
| 3        | Y24613000        | Adjusting washer   |
| 4        | Y24698040        | Right hand cone with dust cap                            |
| 5        | Y27X15000        | Right hand seal ring                                     |
| 6        | Y27X98030        | Right hand ball retainer (5/32" x 17)                    |
| 7        | Y27X98040        | Left hand ball retainer (5/32" x 15)                     |
| 8        | Y27X14000        | Left hand seal ring                                      |
| 9        | Y2AH98020        | Hub axle unit  |
| * 10     | EWHRIMZ2F5Z      | Rim {28H}  |
| * 11     | EWHSPOKEY273V    | Spoke unit {spoke (293 mm x 28 pcs.) / nipple (28 pcs.)} |
| 12       | Y0HN05000        | Spoke (293mm)  |
| 13       | Y012Z4079        | Nipple 12g-BC2 cross recess type 2                       |
| 14       | Y0KL98010        | Valve unit   |
| 15       | Y4RJ10000        | Valve tool   |
| 16       | Y0KP00010        | Tubeless tape  |
| 17       | Y0HN98010        | Rim sticker unit   |
| 18       | Y20W98020        | TL-HB16 Hub setting tool                                 |
| 19       | Y13098900        | TL-7S20 Hub spanner (17 mm x 22 mm) 2 pcs.               |
| 20       | Y23098020        | TL-HS35 Hub spanner 15 mm                                |
| 21       | Y23098030        | TL-HS37 Hub spanner 17 mm                                |
| 22       | Y23098040        | TL-HS38 Hub spanner 18 mm                                |

Apr.-2021-4527A  
 © Shimano Inc. |

Specifications are subject to change without notice.

**SHIMANO**