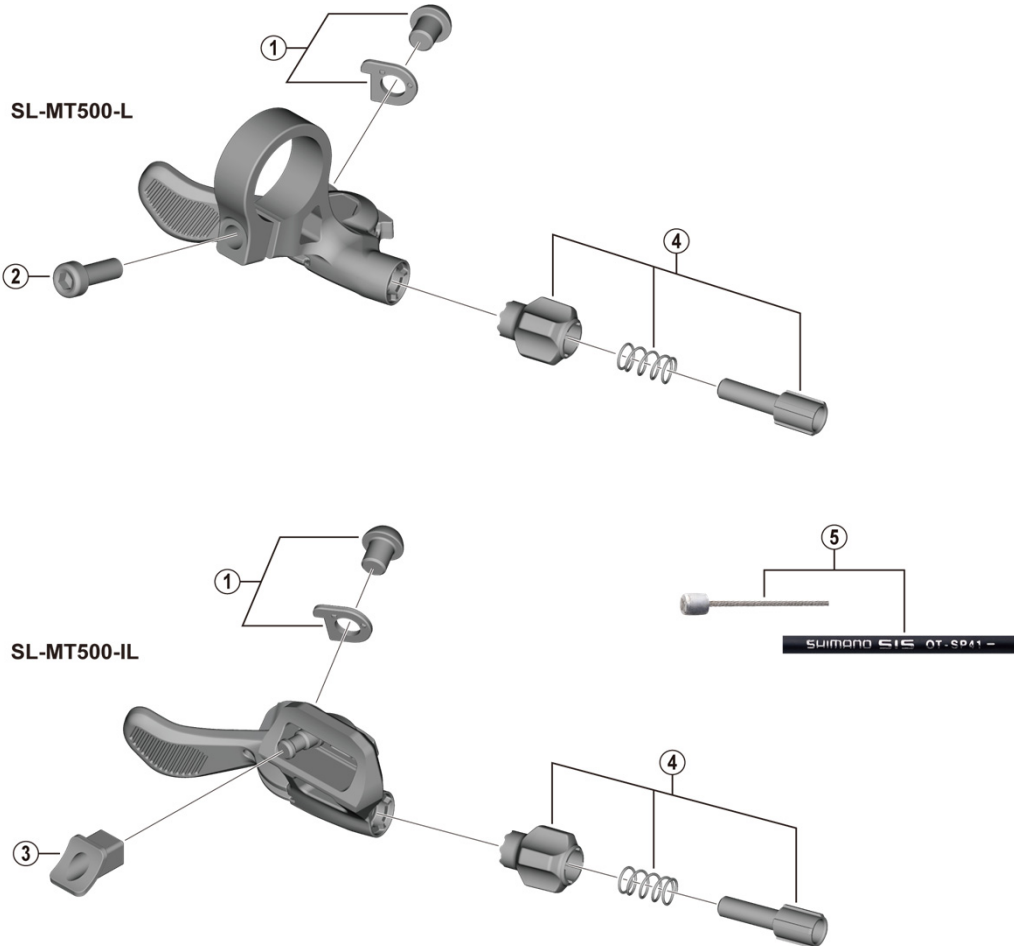


Seat Post Lever

SL-MT500-L

SL-MT500-IL I-spec EV

For Left Hand



SL-MT800-IL

ITEM NO.	SHIMANO CODE NO.	DESCRIPTION	INTERCHANGEABILITY		
1	Y0L798010	Cable Fixing Screw & Plate			
2	Y0L7000F0	Clamp Screw			
3	Y0GT10000	Integration Nut	A		
4	Y6PZ98070	Cable Adjustment Barrel Unit	B		
5	Y60198090	OT-SP41 OPTISLICK shift cable sets (Black) • Sealed outer caps, plastic (9 pcs.) • Sealed outer cap nose (1 pc.) • Rubber shield (1 pc.) • Inner end caps (2 pcs.)			
	Y60198091	OT-SP41 OPTISLICK shift cable sets (White) • Sealed outer caps, plastic (9 pcs.) • Sealed outer cap nose (1 pc.) • Rubber shield (1 pc.) • Inner end caps (2 pcs.)			

A: Same parts.

B: Parts are usable, but differ in materials, appearance, finish, size, etc.

Absence of mark indicates non-interchangeability.

Specifications are subject to change without notice.

Jun.-2020-4681

© Shimano Inc. I

SHIMANO