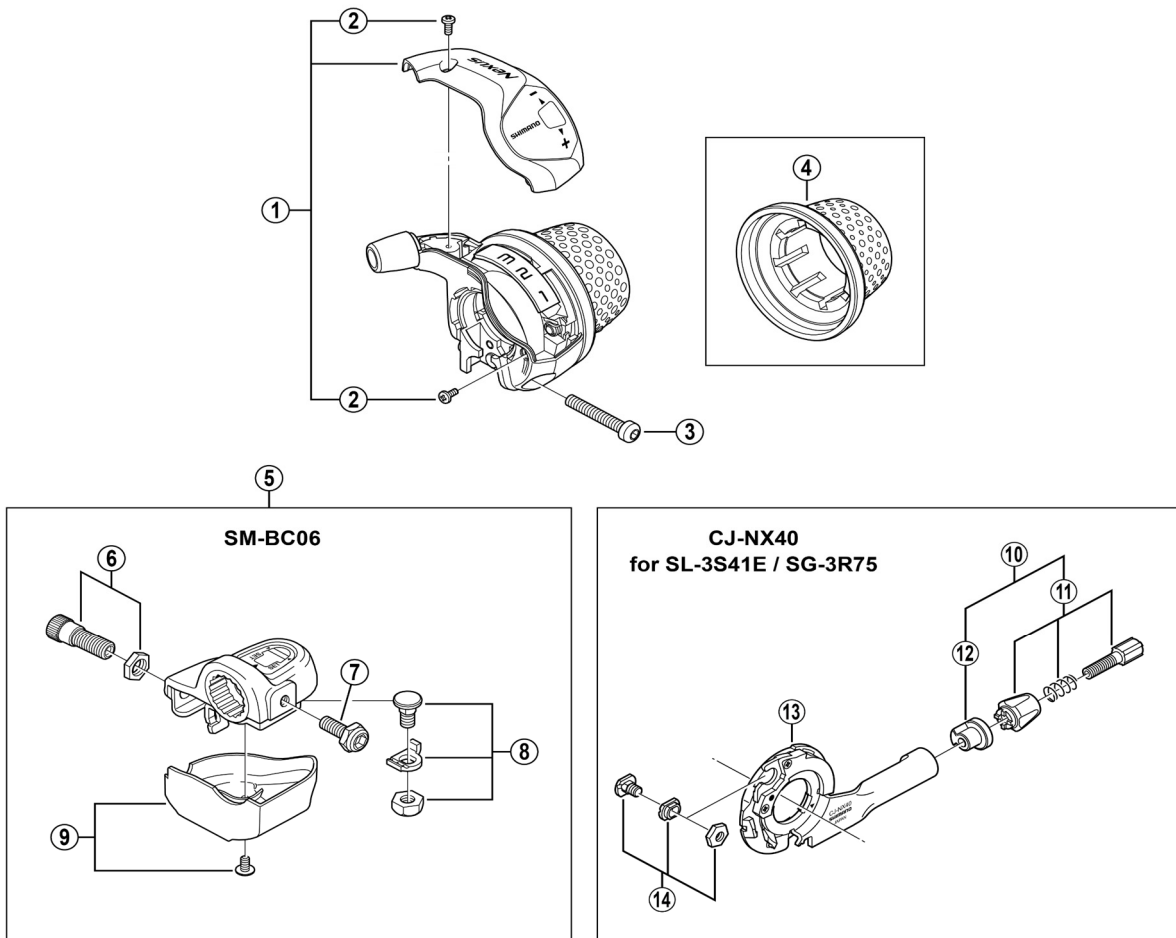


NEXUS REVOSHIFT Shifter (For 3-speed)

SL-3S41E SL-3S42E



ITEM NO.	SHIMANO CODE NO.	DESCRIPTION	INTERCHANGEABILITY		
			SL-8S20	SL-7S20	Bell Crank 4
1	Y6P198010	Cover and fixing screw			
2	Y6F004000	Cover fixing screw	A	A	
3	Y6F409000	Clamp screw (M4 x 23.5)	A	A	
4	Y65P03110	Grip for SL-3S41E			
	Y6FD14000	Grip for SL-3S42E	A	B	
5	Y6P198030	SM-BC06 Bell crank unit			
6	Y33S98010	Cable adjusting bolt and nut			A
7	Y33S74000	Bell crank body fixing bolt			A
8	Y33S98030	Inner cable fixing bolt unit			A
9	Y6P198040	Bell crank cover and fixing screw			
* 10	Y6SJ98060	Cable adjustment barrel unit and outer casing holder			
* 11	Y61W98030	Cable adjustment barrel unit			
* 12	Y6SJ03000	Outer casing holder			
* 13	Y74Y98170	CJ-NX40 Cassette joint			
* 14	Y74Y98030	Inner cable fixing bolt unit			

A: Same parts.

B: Parts are usable, but differ in materials, appearance, finish, size, etc.

Absence of mark indicates non-interchangeability.

Specifications are subject to change without notice.

Jan.-2023-2730A

© Shimano Inc. I

SHIMANO