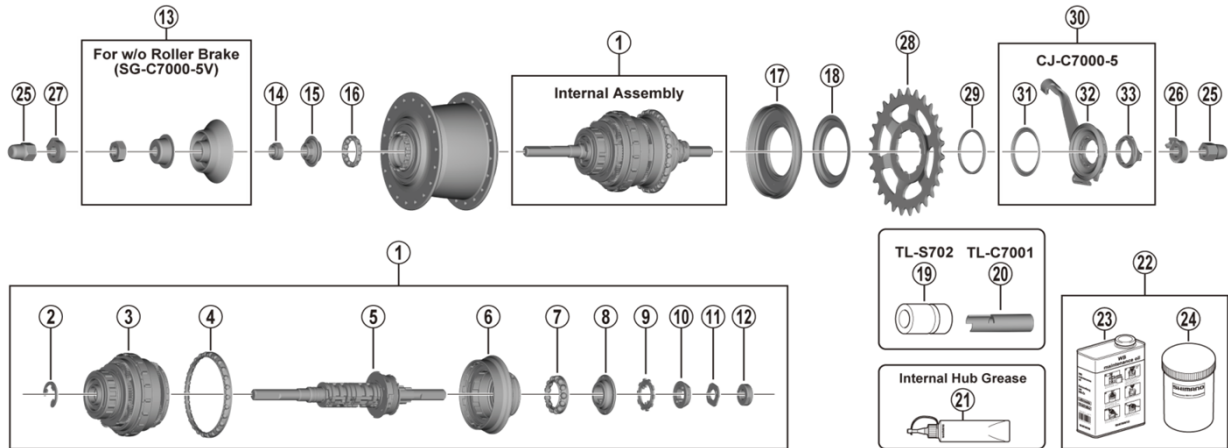


NEXUS 5-speed E-Bike Dedicated Mechanical Internal Hub

**SG-C7000-5R SG-C7000-5V**  
**CJ-C7000-5 SM-C7000-5 CS-C7000**



ITEM NO.	SHIMANO CODE NO.	DESCRIPTION	INTERCHANGEABILITY	
			SG-C7000-5D	SG-C6001-9R
1	Y3FG98010	Internal Assembly (Axle Length 187 mm)		
2	Y3FF49000	Stop Ring Diameter (12 mm / 1.3 mm)	A	
3	Y3FF98020	Carrier Unit	A	
4	Y38X98050	Ball Retainer O (3/16" x 26)	A	A
5	Y3FG98020	Hub Axle Unit (Axle Length 187 mm)		
6	Y3FF98040	Driver Unit	A	
7	Y3FF98050	Ball Retainer A (7/32" x 13)	A	
8	Y3FJ98030	Right Hand Cone w/Seal	A	
9	Y31L04000	Drive Plate	A	
10	Y31L98030	Lock Washer	A	
11	Y34R09000	Joint Nut Stop Washer	A	A
12	Y35Z11000	Right Hand Serated Lock Nut (5.4 mm)	A	
13	Y34R98100	Left Hand Dust Cap Unit		
14	Y31Z06030	Lock Nut for Left Hand Cone		A
15	Y35J90000	Left Hand Cone w/Dust Cap		A
16	Y34R98070	Ball Retainer P (3/16" x 13)		A
17	Y37G98080	Right Hand Dust Cap A w/Seal	A	B
18	Y3FF47000	Right Hand Dust Cap C	A	
19	Y13098022	TL-S702 Right Hand Cone Installation Tool	A	
20	Y70821000	TL-C7001 Right Hand Cone Removal Tool	A	
21	Y04120800	Internal Hub Grease (Net. 100g)	A	A
22	Y00298010	WB maintenance oil set	A	A
23	Y00201000	WB maintenance oil (1L)	A	A
24	Y00201100	Bottle	A	A
* 25	Y31414010	Cap Nut (3/8")		
*	Y33Z20500	Non-turn Washer 5R (Yellow)		
*	Y33M39600	Non-turn Washer 6R (Silver)		
* 26	Y33M39700	Non-turn Washer 7R (Black)		
*	Y34R85010	Non-turn Washer 8R (Dark Blue)		
*	Y33M39510	Non-turn Washer 5L (Brown)		
*	Y33M39610	Non-turn Washer 6L (White)		
* 27	Y33M39710	Non-turn Washer 7L (Gray)		
*	Y34R85000	Non-turn Washer 8L (Dark Green)		
*	Y0FM24000	Sprocket Wheel 24T (CS-C7000)		
* 28	Y0FM01000	Sprocket Wheel 27T (CS-C7000)		
*	Y0FM30000	Sprocket Wheel 30T (CS-C7000)		
* 29	Y7ZP04000	Snap Ring		
*	Y7ZP98010	CJ-C7000-5 Cassette Joint Unit		
* 30	Y7ZP98030	CJ-C7000-5 Cassette Joint Unit for Belt drive system		
* 31	Y7ZP05000	Driver Cap		
*	Y7ZP98020	CJ-C7000-5 Cassette Joint		
* 32	Y7ZP98040	CJ-C7000-5 Cassette Joint for Belt drive system		
* 33	Y33Z98020	Cassette Joint Fixing Ring		

A: Same parts.

B: Parts are usable, but differ in materials, appearance, finish, size, etc.

Absence of mark indicates non-interchangeability.

Specifications are subject to change without notice.

Mar.-2019-4451B

© Shimano Inc. I

**SHIMANO**