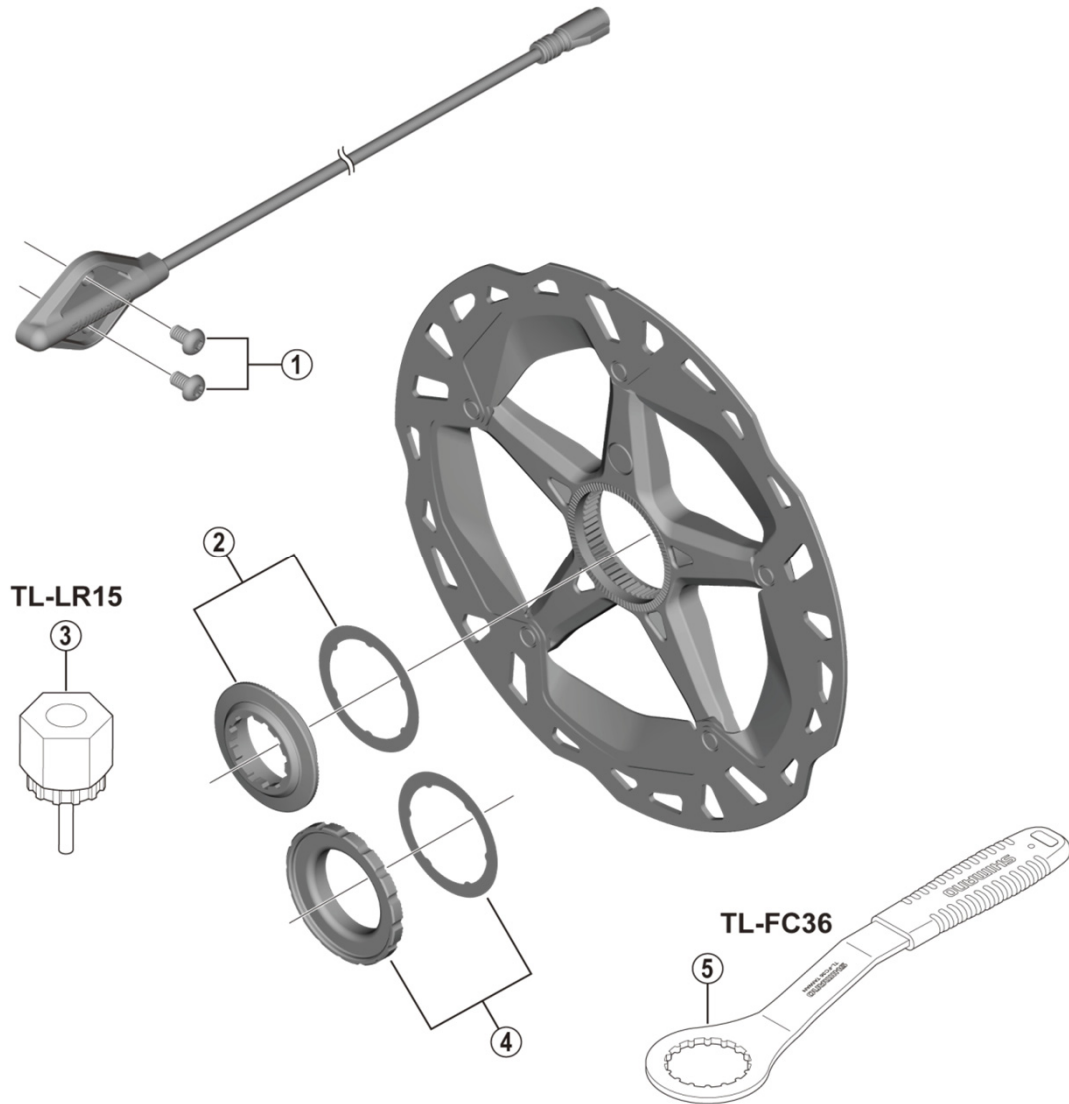


Disc Brake Rotor
RT-EM910 RT-EM810
SM-DUE11 Speed Sensor Unit



ITEM NO.	SHIMANO CODE NO.	DESCRIPTION
1	Y72J98010	Speed Sensor Fixing Bolt (M3) 2 pcs.
2	Y8K198010	Lock Ring & Washer
3	Y12009230	TL-LR15 Lock Ring Removal Tool
4	Y2A598030	Lock Ring & Washer (Externally serrated type)
5	Y13098000	TL-FC36 Lock Ring Removal Tool

Jul.-2019-4517
 © Shimano Inc. I

Specifications are subject to change without notice.

SHIMANO