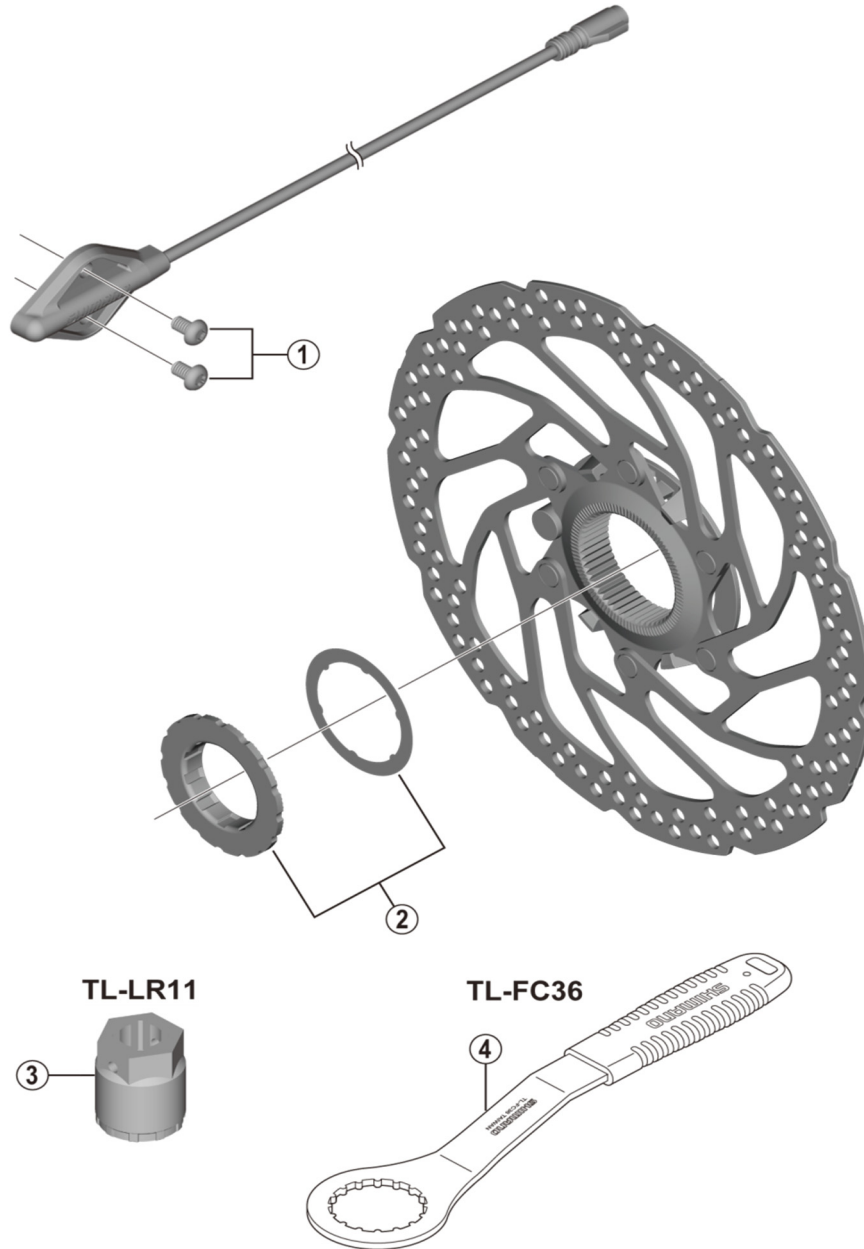


Disc Brake Rotor
RT-EM300
SM-DUE11 Speed Sensor Unit



ITEM NO.	SHIMANO CODE NO.	DESCRIPTION
1	Y72J98010	Speed Sensor Fixing Bolt (M3) 2 pcs.
2	Y8JX98020	Lock Ring (Black) & Washer
3	Y8PW04100	TL-LR11 Lock Ring Removal Tool
4	Y13098000	TL-FC36 Lock Ring Removal Tool

Jan.-2019-4536
 © Shimano Inc. I

Specifications are subject to change without notice.

SHIMANO