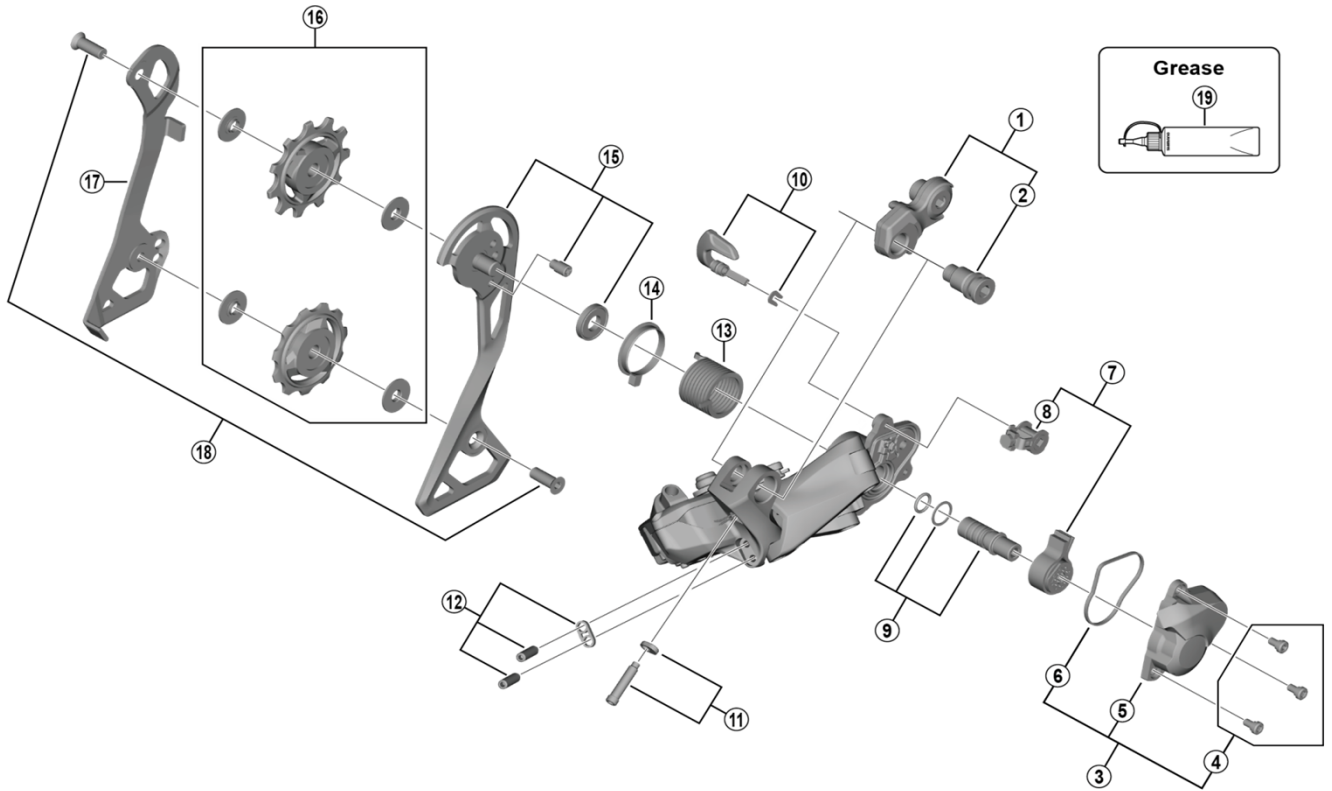


# ULTEGRA RX Rear Derailleur RD-RX805-GS (11-speed)



RD-R8050

ITEM NO.	SHIMANO CODE NO.	DESCRIPTION	INTERCHANGEABILITY	
1	Y3FC98010	Bracket Axle Unit (for normal type)	A	
2	Y3E958000	B-Axle 2 (for Direct Mount type)	A	
3	Y3FK98010	P-Cover Unit		
4	Y5Y198070	P-Cover Screw Set (3 pcs.)		
5	Y3FK42000	P-Cover		
6	Y3FK41000	P-Cover Packing		
* 7	Y3GE98060	Stabilizer Unit		
8	Y5Y198120	Cam Unit		
9	Y3FK98020	P-Axle Unit		
10	Y3E498070	Switch Lever Unit & Fixing Plate		
11	Y3HR98020	End Adjusting Screw & Plate	A	
12	Y3HR98030	Stroke Adjusting Screws & Plate	A	
13	Y5PU13100	P-Tension Spring	A	
14	Y5PV24000	P-Seal Ring		
15	Y3FC98020	Outer Plate Assembly (GS)		
16	Y3E998010	Tension & Guide Pulley Set	A	
17	Y3HR00040	Inner Plate (GS)	A	
18	Y3HR98050	Pulley Screw (2 pcs.)	A	
19	Y04121000	New Grease for Stabilizer (Net. 50g)		
	Y04120800	Grease for Stabilizer (Net. 100g)		

A: Same parts.

B: Parts are usable, but differ in materials, appearance, finish, size, etc.

Absence of mark indicates non-interchangeability.

Specifications are subject to change without notice.

May-2020-4435B

© Shimano Inc. I

# SHIMANO