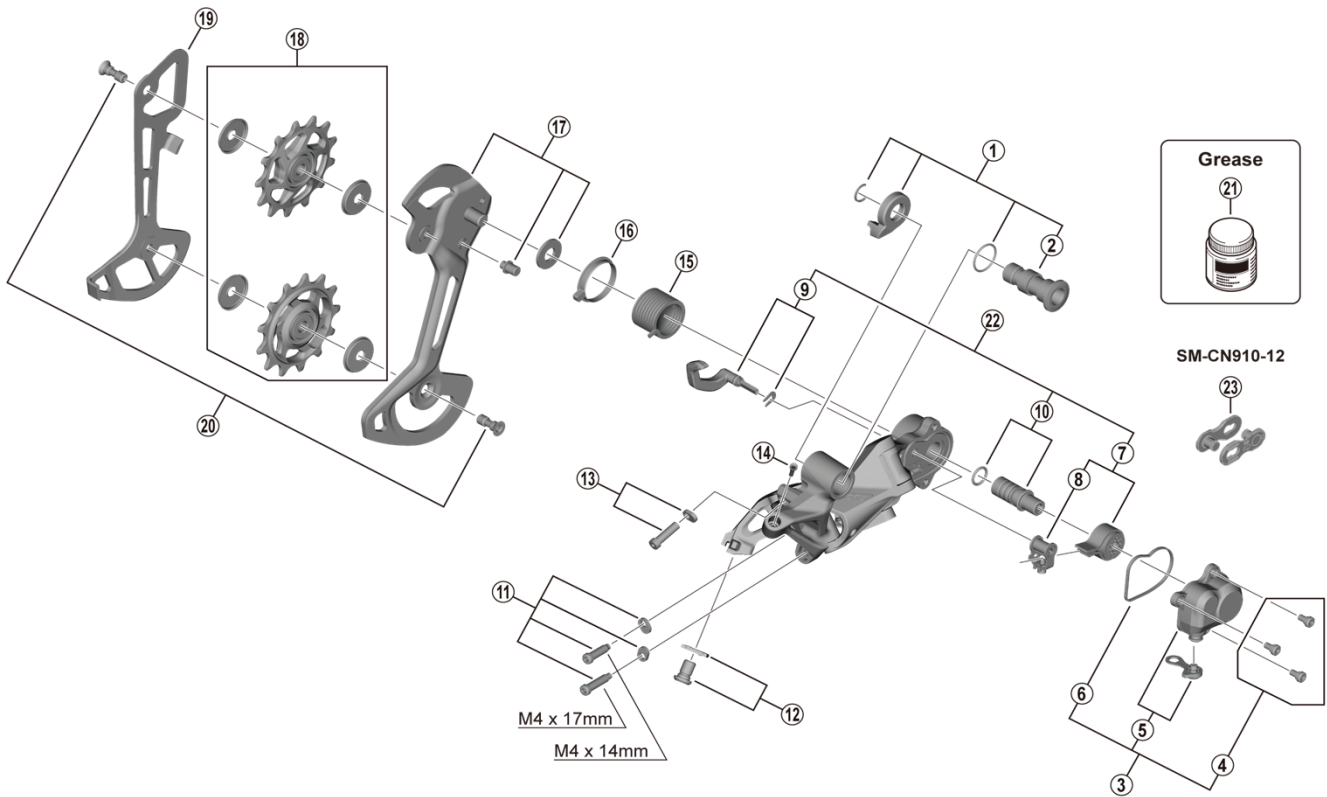


# XTR Rear Derailleur

## RD-M9120-SGS 12-speed



ITEM NO.	SHIMANO CODE NO.	DESCRIPTION	INTERCHANGEABILITY
1	Y3FA98010	Bracket axle unit	
2	Y3FA42000	B-axle	
3	Y3FB98010	P-cover unit	
4	Y5Y198070	P-cover screw set (3 pcs.)	
5	Y3FB98020	P-cover and cap	
6	Y5PV25000	P-cover packing	A
7	Y3GF98040	Stabilizer unit and cam unit	A
8	Y3E498040	Cam unit	A
9	Y3FB98030	Switch lever unit and fixing plate	
10	Y5PV98060	P-axle and O-ring	A
11	Y3FB98040	Stroke adjusting screws and plate	
12	Y5PV98080	Cable fixing screw (M6 x 9.2) and plate	A
13	Y5PV98070	End adjust screw (M4 x 14.1) and plate	A
14	Y5PV48000	Cover with tongue	A
15	Y5PV17000	P-tension spring	A
16	Y5PV24000	P-seal ring	A
17	Y3FB98050	Outer plate assembly (SGS)	
18	Y3FA98090	Tension and guide pulley set	
19	Y3FA26000	Inner plate (SGS)	
20	Y5XX98130	Pulley screw (2 pcs.)	A
21	Y04121000	New grease for stabilizer (Net. 50 g)	A
* 22	Y3FB98060	Stabilizer kit unit	
* 23	ISMCN91012A	SM-CN910-12 QUICK-LINK	

A: Same parts.

B: Parts are usable, but differ in materials, appearance, finish, size, etc.

Absence of mark indicates non-interchangeability.

Specifications are subject to change without notice.

Apr.-2021-4388E

© Shimano Inc. I

# SHIMANO