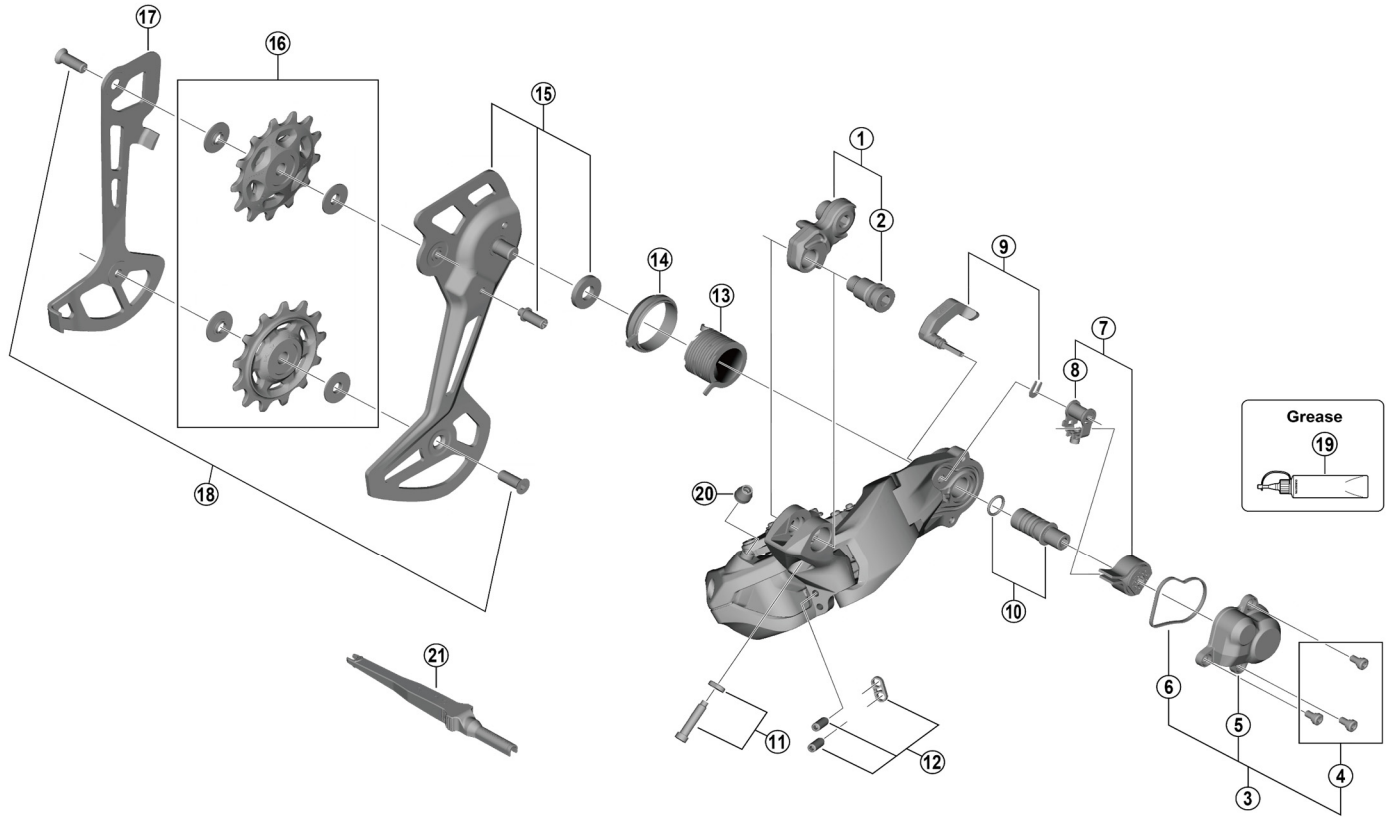


DEORE XT Rear Derailleur RD-M8150-11 (SGS) 11-speed



ITEM NO.	SHIMANO CODE NO.	DESCRIPTION	INTERCHANGEABILITY	
			RD-M8050-GS	RD-M8130-SGS
1	Y3JN98010	Bracket axle unit	A	
2	Y5PV15000	B-axle 2	A	
3	Y3JN98020	P-cover unit		B
4	Y5Y198070	P-cover screw set (3 pcs.)	B	A
5	Y3JN9801T	P-cover		B
6	Y3FA63000	P-cover packing		A
7	Y3GF98040	Stabilizer unit	A	A
8	Y3E498040	Cam unit	B	A
9	Y3JN98030	Switch lever unit and fixing plate		
10	Y5PV98060	P-axle and O-ring	B	A
11	Y3JN98040	End adjust screw and plate		
12	Y5ZN98060	Stroke adjusting screws and plate	A	
13	Y3FA55000	P-tension spring		A
14	Y3FA62000	P-seal ring		A
15	Y3JN98050	Outer plate assembly (SGS)		
16	Y3J598010	Tension and guide pulley set		A
17	Y3FX26000	Inner plate		
18	Y3FW98090	Pulley screw (2 pcs.)	B	A
19	Y04121000	New grease for stabilizer (Net. 50 g)	A	A
20	Y3GK89000	Boot		
21	Y7HE40000	TL-EW300 Plug tool		

A: Same parts.

B: Parts are usable, but differ in materials, appearance, finish, size, etc.

Absence of mark indicates non-interchangeability.

Specifications are subject to change without notice.

Oct.-2022-4973

© Shimano Inc. I

SHIMANO