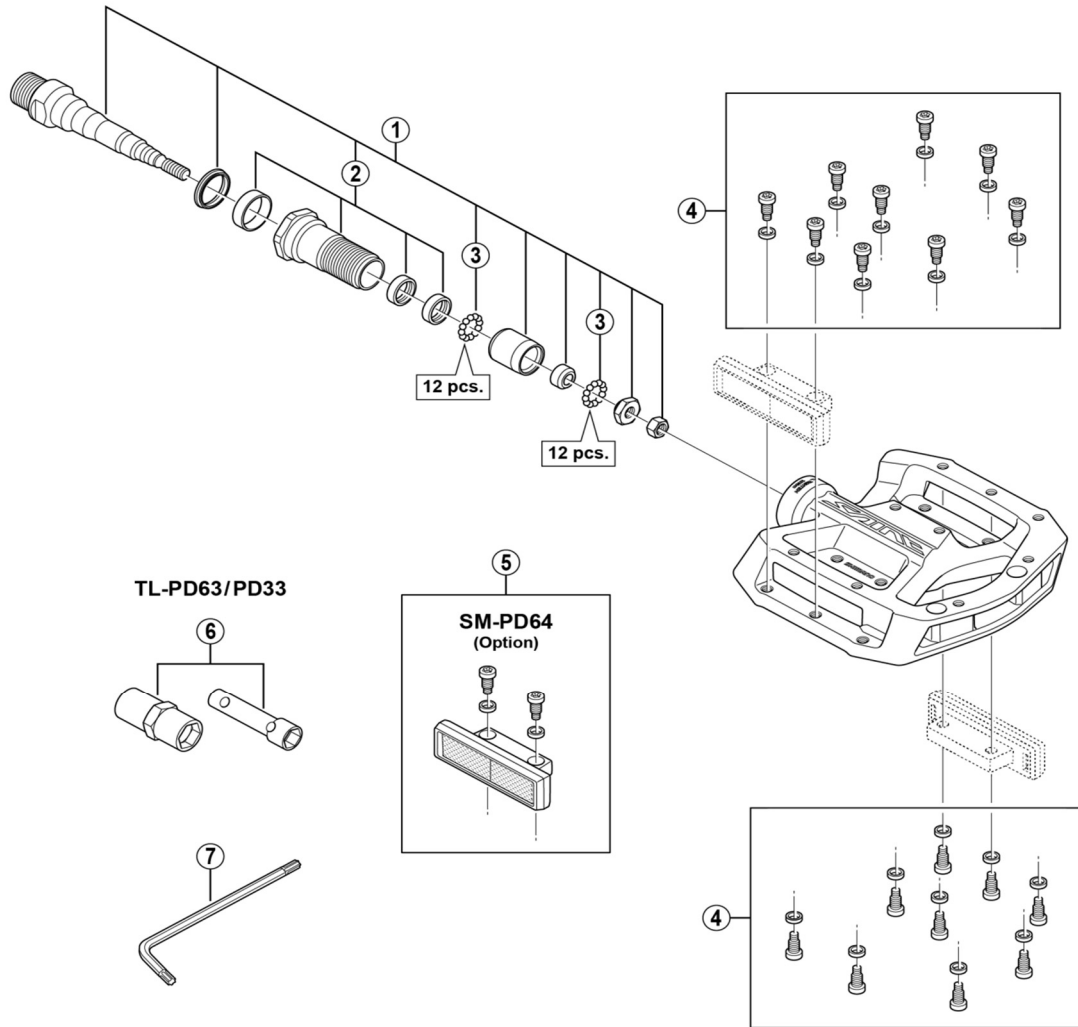


SAINT Pedals PD-MX80



ITEM NO.	SHIMANO CODE NO.	DESCRIPTION	INTERCHANGEABILITY	
1	Y46R98080	Pedal Axle Assembly (Right / B.C.9/16" x 20T.P.I.)	A	
	Y46R98020	Pedal Axle Assembly (Left / B.C.9/16" x 20T.P.I.)	A	
* 2	Y46R98030	Lock Bush (Right)		
* 2	Y46R98040	Lock Bush (Left)		
3	Y41N98030	Steel Ball (3/32") 62 pcs.	A	
4	Y46R98050	Pin & Spacer (9 pcs.)		
5	Y46R98060	SM-PD64 Reflector Unit (4 pcs. / Option)		
	Y46R98070	SM-PD64 Reflector Unit (AS / 4 pcs. / Option)		
6	Y46098630	TL-PD63 Cone Adjusting Tool Set	A	
	Y41N98040	TL-PD33 Cone Adjusting Tool Set	A	
7	Y46R10000	Hexalobular Socket Screw Key		

A: Same parts.

B: Parts are usable, but differ in materials, appearance, finish, size, etc.

Absence of mark indicates non-interchangeability.

Specifications are subject to change without notice.

PD-M647

May-2019-3390B

© Shimano Inc. I

SHIMANO