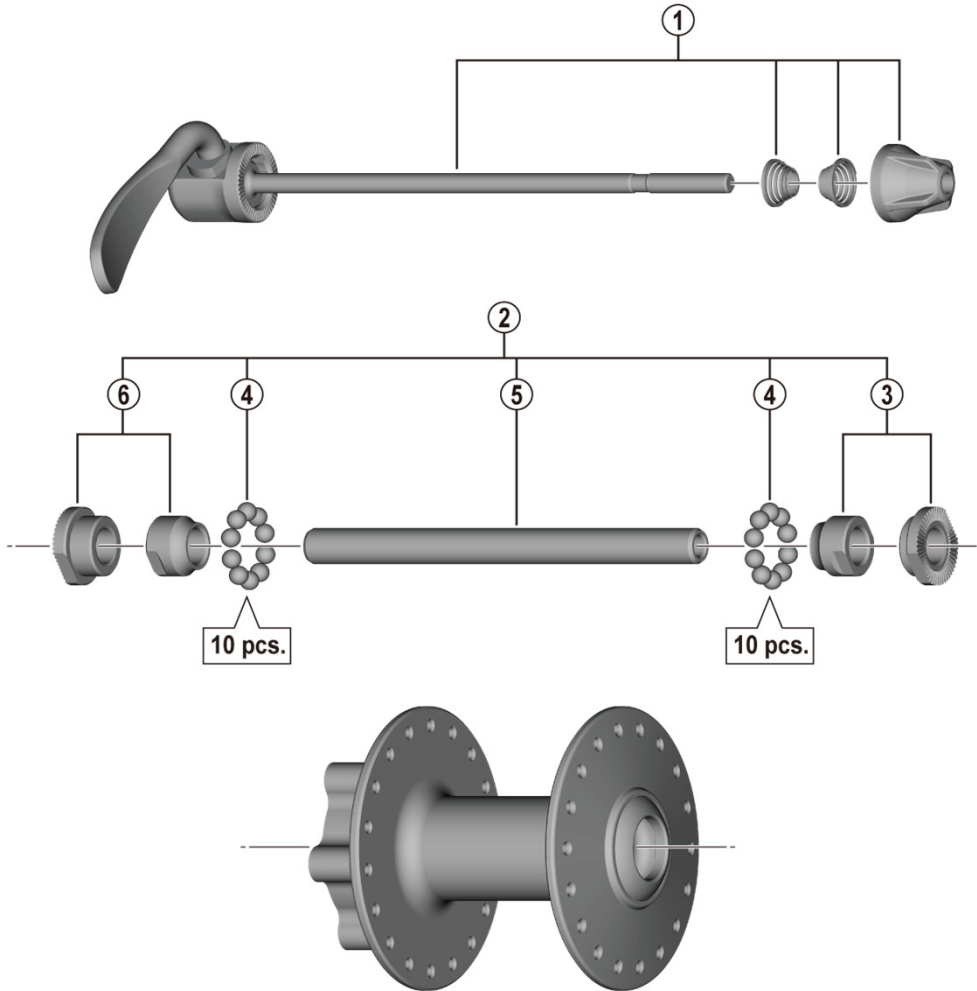


Front Hub HB-TX506 For Disc Brake



• Over Lock Nut Dimension: 100 mm

ITEM NO.	SHIMANO CODE NO.	DESCRIPTION	INTERCHANGEABILITY	
1	Y2A398010	Complete Quick Release 133 mm	A	
2	Y2A198010	Complete Hub Axle 108 mm	A	
3	Y2A198020	Right Hand Lock Nut Unit	A	
4	Y00091210	Steel Ball (3/16") 20 pcs.	A	
5	Y25W03000	Hub Axle M10 x 108 mm	A	
6	Y2A198030	Left Hand Lock Nut Unit	A	

A: Same parts.

B: Parts are usable, but differ in materials, appearance, finish, size, etc.

Absence of mark indicates non-interchangeability.

Specifications are subject to change without notice.

HB-TX505

May-2020-4720

© Shimano Inc. I

SHIMANO