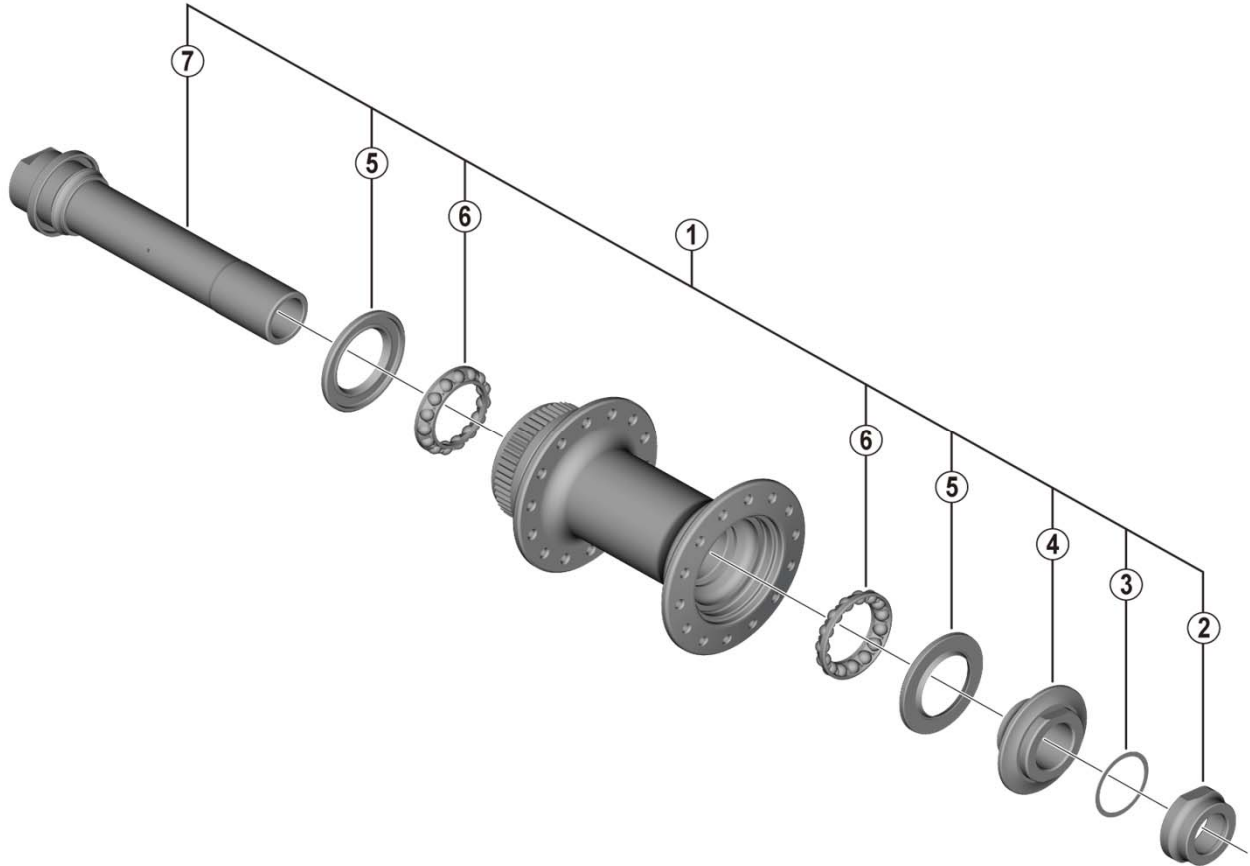


Front Hub HB-RS470 For Disc Brake



• Over Lock Nut Dimension: 100 mm (3-15/16")

| ITEM NO. | SHIMANO CODE NO. | DESCRIPTION | INTERCHANGEABILITY | |
|----------|------------------|----------------------------|--------------------|------------|
| | | | MH-RS170-F12 | MH-RX31F12 |
| 1 | Y0H798010 | Complete Hub Axle | A | - |
| 2 | Y07B06000 | Right Hand Lock Nut | A | A |
| 3 | Y38Z26000 | Adjusting Washer | A | - |
| 4 | Y0CJ98020 | Right Hand Cone w/Dust Cap | A | - |
| 5 | Y26D10000 | Seal Ring | A | A |
| 6 | Y0CJ98030 | Ball Retainer (5/32" x 15) | A | - |
| 7 | Y0H798020 | Hub Axle Unit | - | - |

A: Same parts.

B: Parts are usable, but differ in materials, appearance, finish, size, etc.

Absence of mark indicates non-interchangeability.

Specifications are subject to change without notice.

Sep.-2019-4553

© Shimano Inc. ITP

SHIMANO