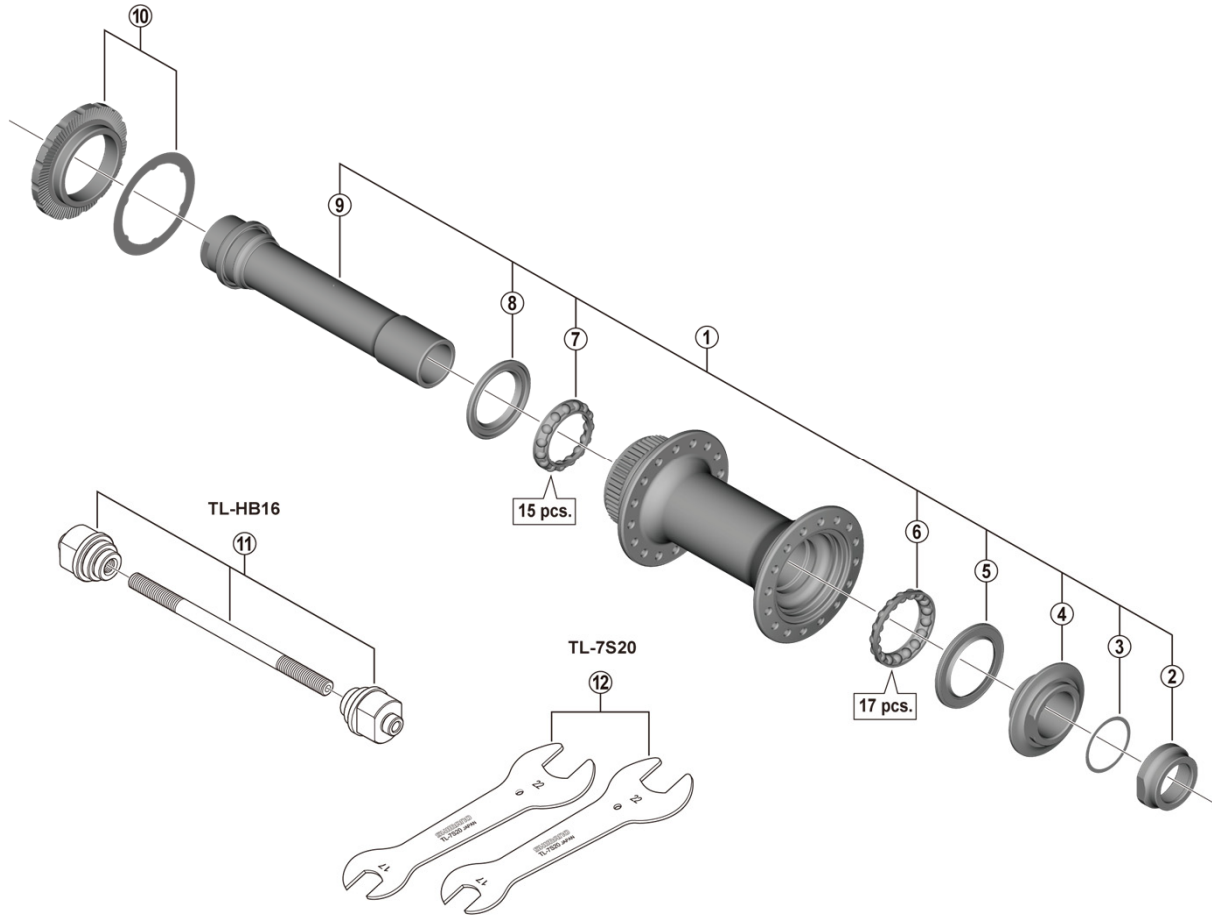


Front Hub (For Disc Brake)

# HB-MT900-B



• Over Lock Nut Dimension: 110 mm (4-11/32")

ITEM NO.	SHIMANO CODE NO.	DESCRIPTION	INTERCHANGEABILITY	
1	Y2CZ98010	Complete Hub Axle	-	
2	Y2A500050	Right Hand Lock Nut	A	
3	Y24613000	Adjusting Washer	-	
4	Y24698040	Right Hand Cone w/Dust Cap	-	
5	Y27X15000	Right Hand Seal Ring	A	
6	Y27X98030	Right Hand Ball Retainer (5/32" x 17)	-	
7	Y27X98040	Left Hand Ball Retainer (5/32" x 15)	-	
8	Y27X14000	Left Hand Seal Ring	A	
9	Y2AH98020	Hub Axle Unit	-	
10	Y2CW98050	Lock Ring & Washer	-	
11	Y20W98020	TL-HB16 Hub Setting Tool	-	
12	Y13098900	TL-7S20 Hub Spanner (17 mm x 22 mm) 2 pcs.	-	

A: Same parts.

B: Parts are usable, but differ in materials, appearance, finish, size, etc.

Absence of mark indicates non-interchangeability.

Specifications are subject to change without notice.

HBM8010B

Jan.-2019-4415

© Shimano Inc. ITP

# SHIMANO