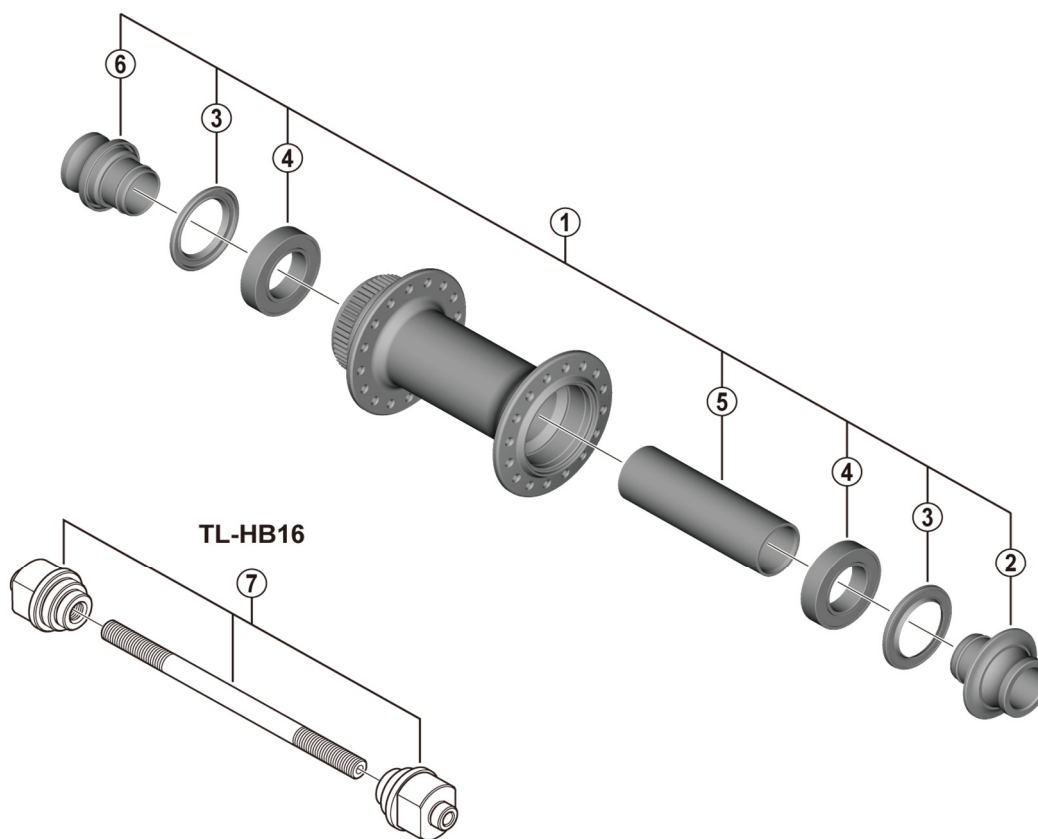


Front Hub (For Disc Brake)

HB-MT410 HB-MT410-B



• O.L.D. 100 mm for HB-MT410 / 110 mm for HB-MT410-B

ITEM NO.	SHIMANO CODE NO.	DESCRIPTION	INTERCHANGEABILITY	
1	Y2GX98010	Complete hub axle for HB-MT410		
	Y2GY98010	Complete hub axle for HB-MT410-B		
2	Y2GY98020	Right hand axle cap unit		
3	Y27X14000	Seal ring	A	
* 4	Y2GY25000	Ball bearing (17 x 30 x 7)		
	Y2GX22000	Inner sleeve for HB-MT410		
	Y2GY22000	Inner sleeve for HB-MT410-B		
6	Y2GY98030	Left hand axle cap unit		
7	Y20W98020	TL-HB16 Hub setting tool		

A: Same parts.

B: Parts are usable, but differ in materials, appearance, finish, size, etc.

Absence of mark indicates non-interchangeability.

Specifications are subject to change without notice.

HB-MT400

Apr.-2022-4718A

© Shimano Inc. |

SHIMANO