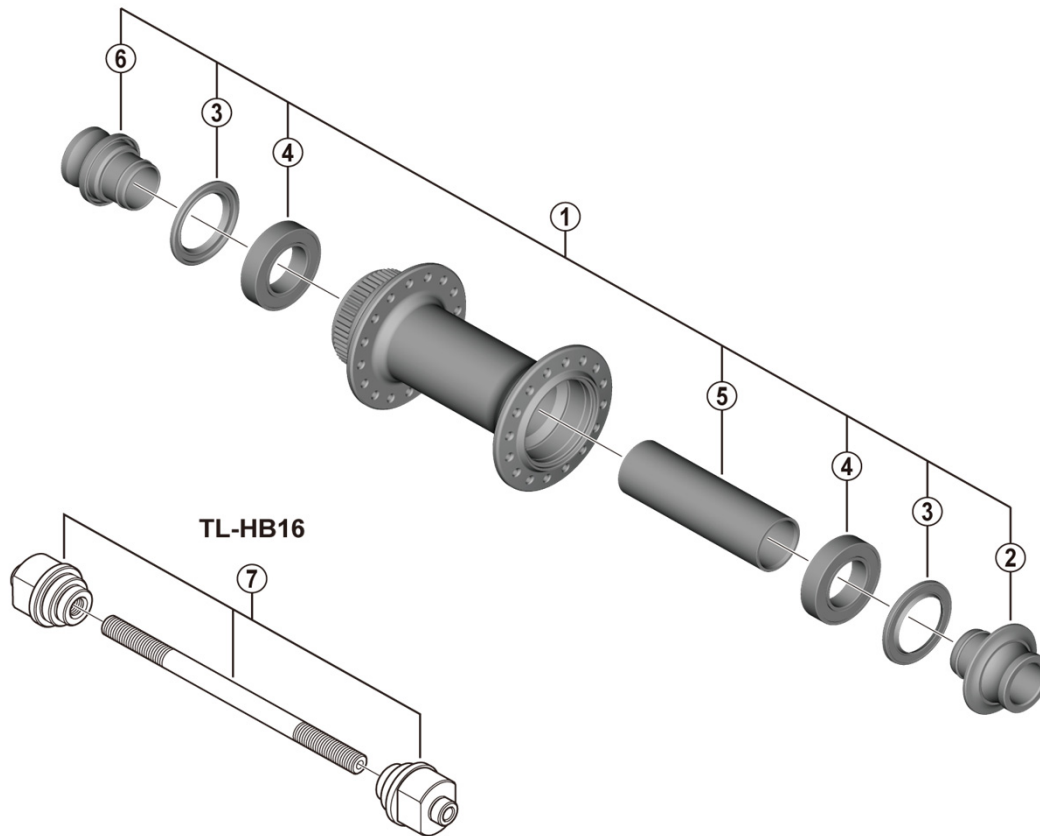


Front Hub (For Disc Brake)

# HB-MT410 HB-MT410-B



• Over Lock Nut Dimension: 100 mm for HB-MT410 / 110 mm for HB-MT410-B

ITEM NO.	SHIMANO CODE NO.	DESCRIPTION	INTERCHANGEABILITY	
1	Y2GX98010	Complete Hub Axle for HB-MT410		
	Y2GY98010	Complete Hub Axle for HB-MT410-B		
2	Y2GY98020	Right Hand Axle Cap Unit		
3	Y27X14000	Seal Ring	A	
4	Y2GY25000	Ball Bearing		
5	Y2GX22000	Inner Sleeve for HB-MT410		
	Y2GY22000	Inner Sleeve for HB-MT410-B		
6	Y2GY98030	Left Hand Axle Cap Unit		
7	Y20W98020	TL-HB16 Hub Setting Tool		

A: Same parts.

B: Parts are usable, but differ in materials, appearance, finish, size, etc.

Absence of mark indicates non-interchangeability.

Specifications are subject to change without notice.

HB-MT400

Jul.-2020-4718

© Shimano Inc. |

# SHIMANO