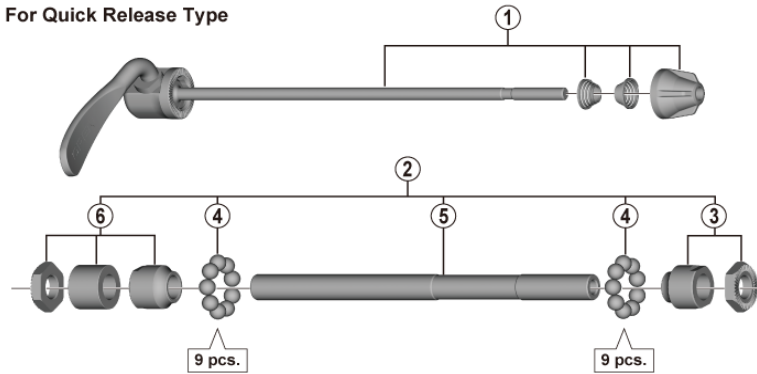
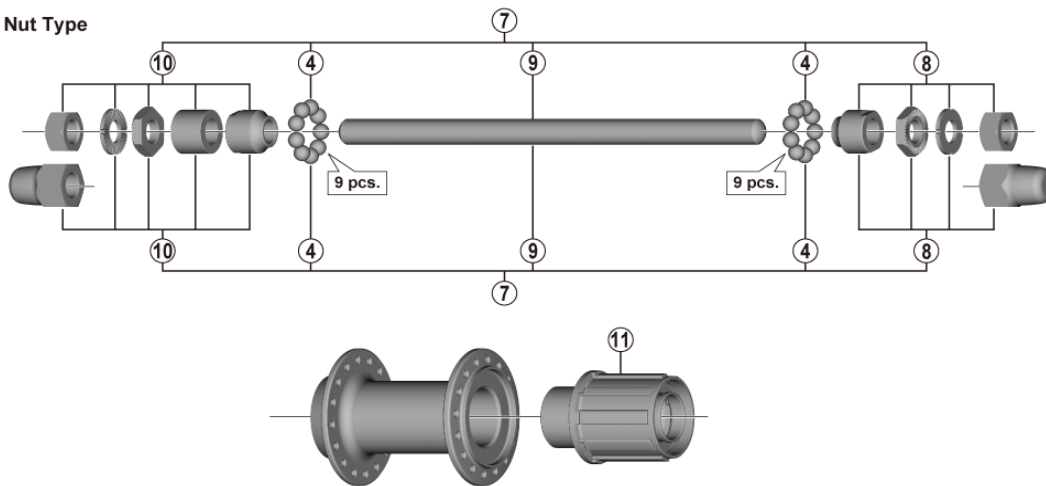


Freehub FH-TY500 7-speed

For Quick Release Type



For Nut Type



• Over Lock Nut Dimension: 130mm (5-1/8") / 135 mm (5-5/16")

ITEM NO.	SHIMANO CODE NO.	DESCRIPTION	INTERCHANGEABILITY	
			FH-TX500	FH-FM30
1	Y3F698010	Complete Quick Release 161 mm (6-11/32") Black		A
	Y31U98010	Complete Quick Release 166 mm (6-17/32") Black	A	A
	Y31U98020	Complete Quick Release 170 mm (6-11/16") Black	A	A
2	Y3F698020	Complete Hub Axle 146 mm (5-3/4") for Quick Release Type		B
	Y3F698030	Complete Hub Axle 141 mm (5-9/16") for Quick Release Type		B
3	Y3E698020	Right Hand Lock Nut Unit for Quick Release Type	A	B
4	Y34T98030	Steel Ball (1/4") 18 pcs.	A	A
5	Y31S00010	Hub Axle M10 x 146 mm (5-3/4") for Quick Release Type		B
	Y3F607000	Hub Axle M10 x 141 mm (5-1/2") for Quick Release Type		B
6	Y3F698040	Left Hand Lock Nut Unit for Quick Release Type (T=13)		B
	Y3F698050	Left Hand Lock Nut Unit for Quick Release Type (T=8)		B
7	Y3F698060	Complete Hub Axle 185 mm (7-9/32")		B
	Y3F698070	Complete Hub Axle 180 mm (7-1/16")		B
*	Y3F798010	Complete Hub Axle 185 mm (7-9/32") for Cap Nut Type		B
8	Y3F698080	Right Hand Lock Nut Unit	A	B
	Y3F798020	Right Hand Lock Nut Unit for Cap Nut Type		B
9	Y3E750000	Hub Axle M10 x 185 mm (7-9/32")		B
	Y3F704000	Hub Axle M10 x 180 mm (7-1/16")		B
10	Y3F698090	Left Hand Lock Nut Unit (T=13)		B
	Y3F698100	Left Hand Lock Nut Unit (T=8)		B
*	Y3F798030	Left Hand Lock Nut Unit for Cap Nut Type(T=13)		B
11	Y3F698110	Freewheel Body Unit		

A: Same parts.

B: Parts are usable, but differ in materials, appearance, finish, size, etc.

Absence of mark indicates non-interchangeability.

Specifications are subject to change without notice.

Jan.-2019-4359A

© Shimano Inc. ITP

SHIMANO