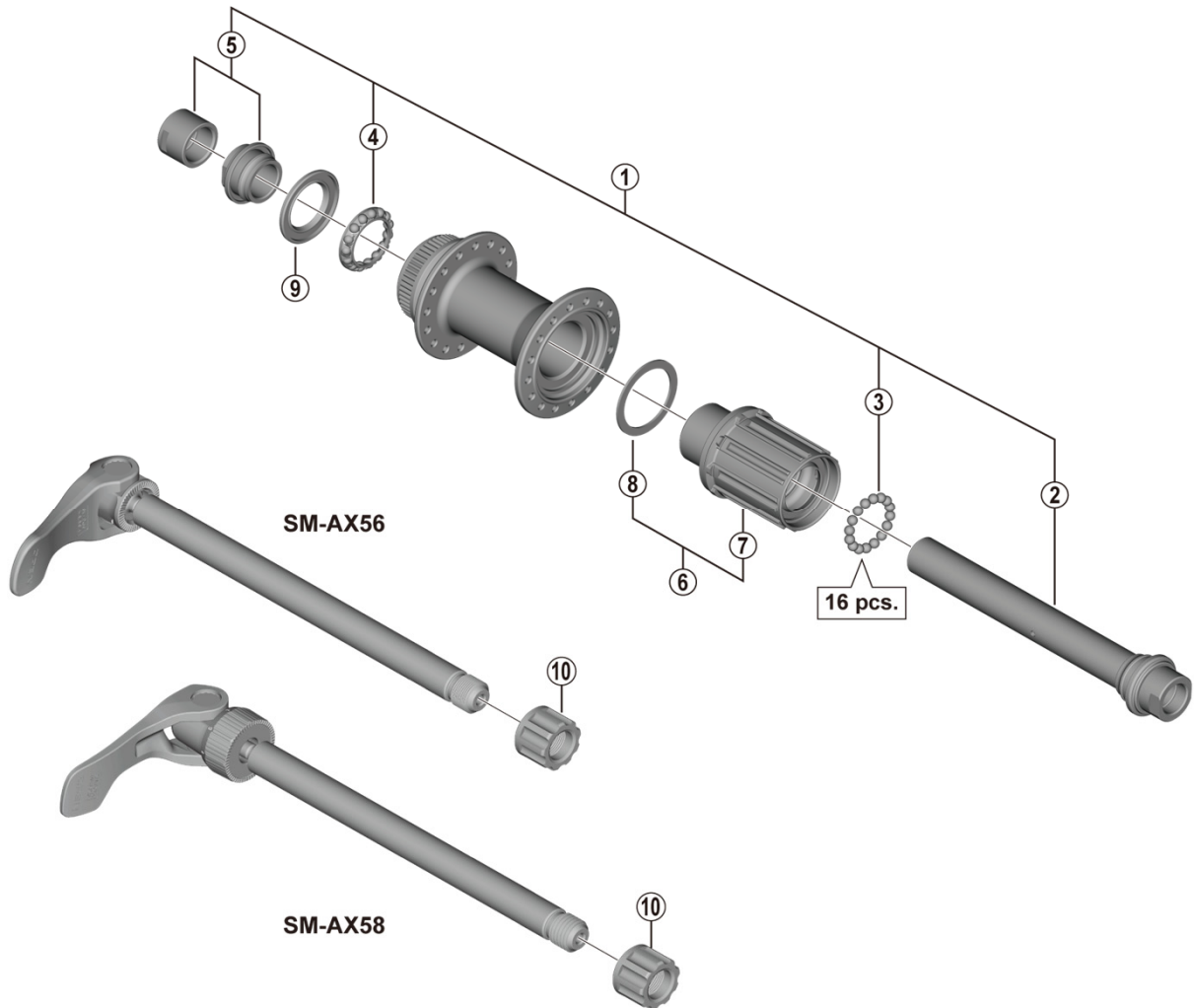


Freehub (8-11-speed) for Disc Brake

# FH-MT400 SM-AX58/AX56



• Over Lock Nut Dimension: 142 mm (5-19/32")

ITEM NO.	SHIMANO CODE NO.	DESCRIPTION	INTERCHANGEABILITY		
			FH-M618	WH-MT500-R12	FH-MT400-B
1	Y3FU98010	Complete Hub Axle			
2	Y3FU98020	Hub Axle			
3	Y4FE98030	Steel Ball (5/32") 34 pcs.		A	A
4	Y0CJ98030	Ball Retainer (5/32" x 15)		A	A
5	Y0CK98030	Left Hand Lock Nut & Cone w/Dust Cover		A	A
6	Y3F898030	Complete Freewheel Body			
7	Y3F898040	Freewheel Body Unit			
8	Y3CZ12000	Freewheel Body Washer	A	A	A
9	Y26D10000	Seal Ring	A	A	A
10	Y27Y02000	Fixing Nut (M12)			

A: Same parts.

B: Parts are usable, but differ in materials, appearance, finish, size, etc.

Absence of mark indicates non-interchangeability.

Specifications are subject to change without notice.

Jan.-2019-4494

© Shimano Inc. ITP

# SHIMANO