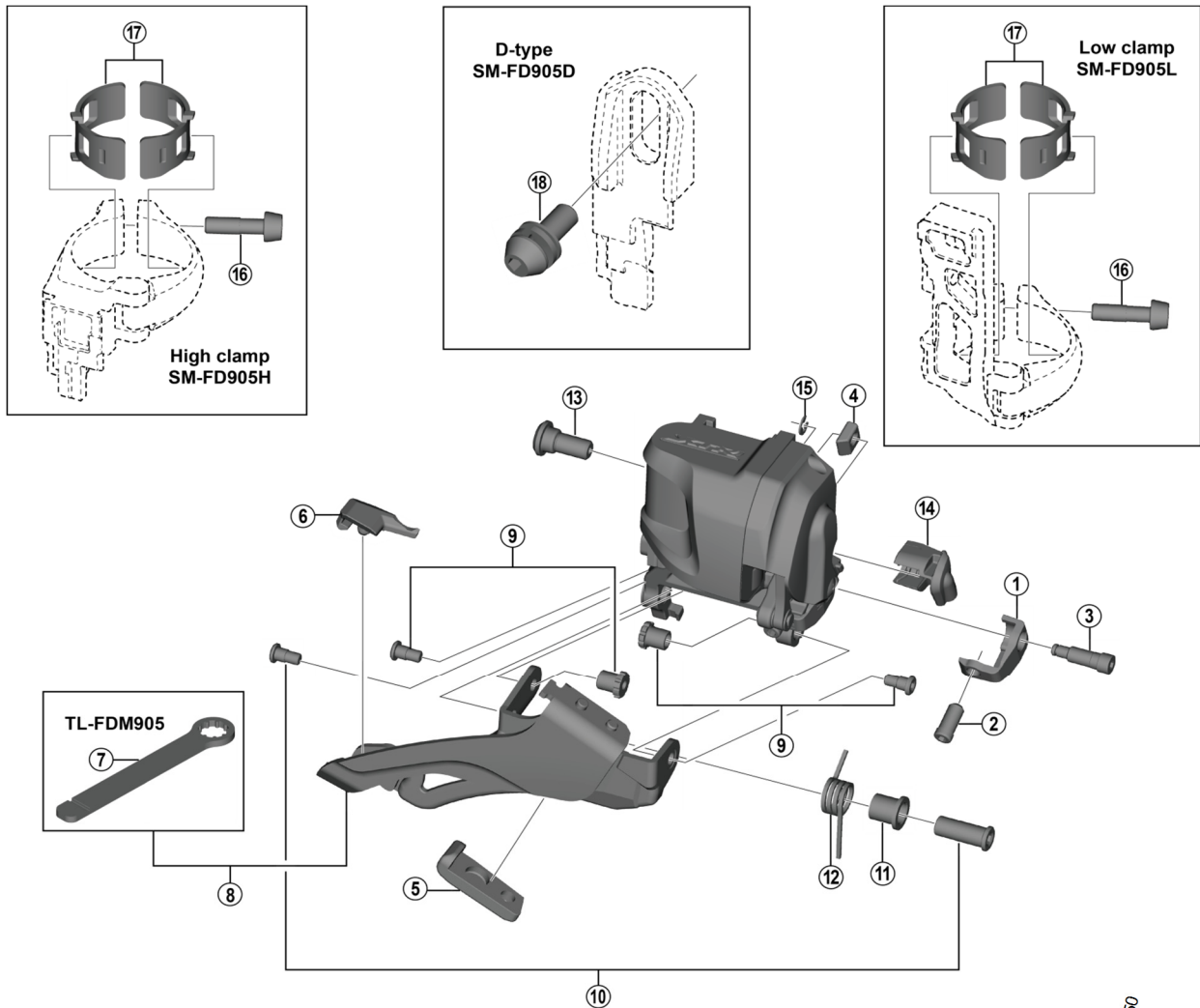


XTR Down Swing Front Derailleur (2x11-speed)

FD-M9070

SM-FD905

Mount adapter (High clamp / Low clamp / D-type)



ITEM NO.	SHIMANO CODE NO.	DESCRIPTION	INTERCHANGEABILITY	
1	Y5R5070D0	Adjust Plate	A	
2	Y6AM82200	Adjust Screw	A	
3	Y5R5070C0	Stroke Fixing Bolt	A	
4	Y5R5070B0	Stroke Fixing Plate	A	
5	Y5R5070V0	Rubber Pad A	A	
6	Y5R507100	Rubber Pad B	A	
7	YEZY00001	Shimano Original Tool TL-FDM905		
8	Y5R598010	Chain Guide Assy & Shimano Original Tool TL-FDM905		
9	Y5R498020	Chain Guide Nut & Replace Bolt	A	
10	Y5R498030	Guide Spring Nut & Replace Bolt	A	
11	Y5R5070P0	Sleeve	A	
12	Y5R5070R0	Guide Spring	A	
13	Y5R5070S0	Bracket Fixing Bolt	A	
14	Y5R5070T0	Plug Cover	A	
15	Y7DE18000	E-Ring D2	A	
16	Y5R007000	Clamp Bolt (M5 x 18.5) for SM-FD905H / SM-FD905L		
17	Y57Y98030	Clamp Band Adapters for S-size / Diameter 28.6 mm		
	Y57Y98040	Clamp Band Adapters for M-size / Diameter 31.8 mm		
* 18	Y5R230000	Clamp Bolt (M6 x 14.5) for SM-FD905D		

A: Same parts.

B: Parts are usable, but differ in materials, appearance, finish, size, etc.

Absence of mark indicates non-interchangeability.

Specifications are subject to change without notice.

Apr.-2019-3806C

© Shimano Inc. I

SHIMANO