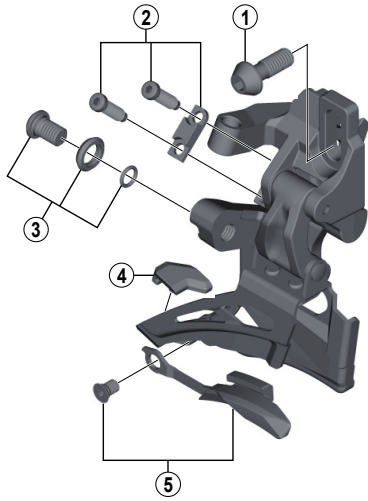
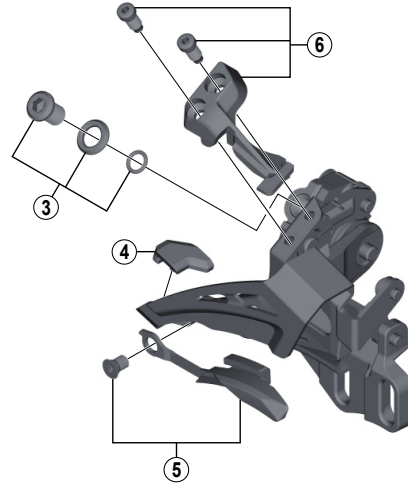


DEORE Front Derailleur FD-M618 (2x10-speed)

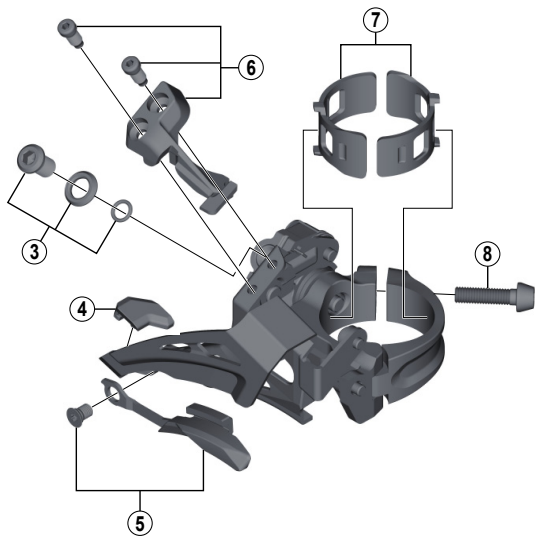
D-type



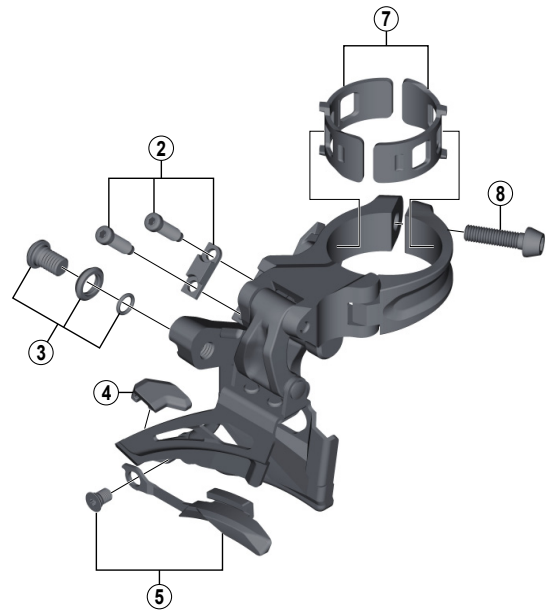
E-type



Low clamp



High clamp



ITEM NO.	SHIMANO CODE NO.	DESCRIPTION	INTERCHANGEABILITY					
			FD-M9020	FD-M9025	FD-M8020	FD-M8025	FD-M677	FD-M617
* 1	Y5S415000	Clamp Bolt (M6 x 14.5)	B	B	A	A	A	A
2	Y5S898010	Stroke Adjust Screws (M4 x 13.7) & Plate		A		A		
3	Y5S898020	Cable Fixing Bolt Unit (M6 x 9.2)	B	B	A	A	A	A
4	Y5RC08000	Rubber Pad B		A	A	A	A	A
5	Y5SW98010	Chain Catcher & Fixing Bolt					A	A
6	Y5RD98010	Stroke Adjust Screws (M4 x 8.5) & Plate		A		A		
7	Y57Y98030	Clamp Band Adapters for S-size / Diameter 28.6 mm	A	A	A	A	A	A
	Y57Y98040	Clamp Band Adapters for M-size / Diameter 31.8 mm	A	A	A	A	A	A
8	Y5S207000	Clamp Bolt (M5 x 15.8)	B	B	A	A	A	A

A: Same parts.

B: Parts are usable, but differ in materials, appearance, finish, size, etc.

Absence of mark indicates non-interchangeability.

Specifications are subject to change without notice.

Apr.-2019-3826B

© Shimano Inc. I