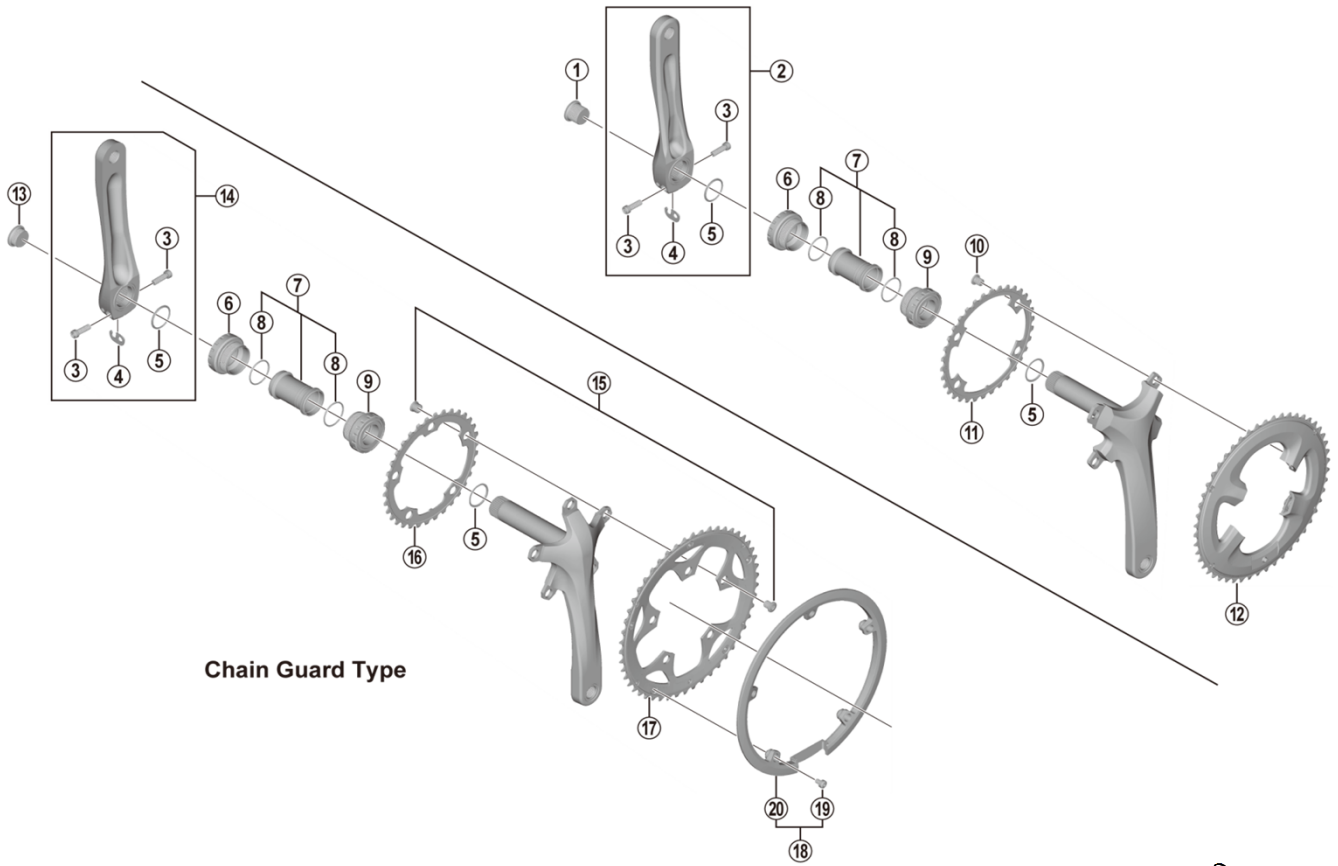


SORA Crankset
FC-R3000
BB-RS500



- Chaining teeth combinations: 50-34T
- Bolt circle diameter: 110 mm

FC-3650

ITEM NO.	SHIMANO CODE NO.	DESCRIPTION	INTERCHANGEABILITY	
1	Y1P417000	Crank Arm Fixing Bolt	B	
2	Y1VC98020	Left Hand Crank Arm Unit 165 mm	B	
	Y1VC98030	Left Hand Crank Arm Unit 170 mm	B	
	Y1VC98040	Left Hand Crank Arm Unit 175 mm	B	
3	Y1GS00030	Clamp Bolt (M6 x 19)		
4	Y1GE98050	Plate	A	
5	Y1F316000	Ring	A	
6	Y1RF98010	Left Hand Adapter (B.C.1.37" x 24T) English Thread (BB-RS500)	A	
	Y1RF98020	Left Hand Adapter (M36 x 24T) Italian Thread (BB-RS500)	A	
7	Y1RF98050	Inner Cover & O-Ring	A	
8	Y1TF21000	O-Ring	A	
9	Y1RF98030	Right Hand Adapter (B.C.1.37" x 24T) English Thread (BB-RS500)	A	
	Y1RF98040	Right Hand Adapter (M36 x 24T) Italian Thread (BB-RS500)	A	
10	Y1FM98030	Gear Fixing Bolt (M8 x 8.5 / 1 Unit = 4 pcs.)		
11	Y1VC34000	Chainring 34T-MP		
12	Y1VC98010	Chainring 50T-MP		
13	Y1KS13000	Crank Arm Fixing Bolt	A	
14	Y1VC98070	Left Hand Crank Arm Unit 165 mm for Right Hand Crank with Chain Guard specification	A	
	Y1VC98080	Left Hand Crank Arm Unit 170 mm for Right Hand Crank with Chain Guard specification	A	
	Y1VC98090	Left Hand Crank Arm Unit 175 mm for Right Hand Crank with Chain Guard specification	A	
15	Y1NB98040	Gear Fixing Bolt (M8 x 8.5 / 1 Unit = 5 pcs.) & Nut (1 Unit = 5 pcs.)	A	
16	Y1NB34000	Chainring 34T	A	
17	Y1NB98080	Chainring 50T-F for Chain Guard	A	
18	Y1NB98100	50T Chain Guard (1 pc.) & Fixing Bolts (1 Unit = 5 pcs.)	A	
19	Y1HD98050	Chain Guard Fixing Bolt (1 Unit = 5 pcs.)	A	
20	Y1NB12000	50T Chain Guard	A	

A: Same parts.

B: Parts are usable, but differ in materials, appearance, finish, size, etc.

Absence of mark indicates non-interchangeability.

Specifications are subject to change without notice.

Apr.-2019-3992A

© Shimano Inc. I

SHIMANO