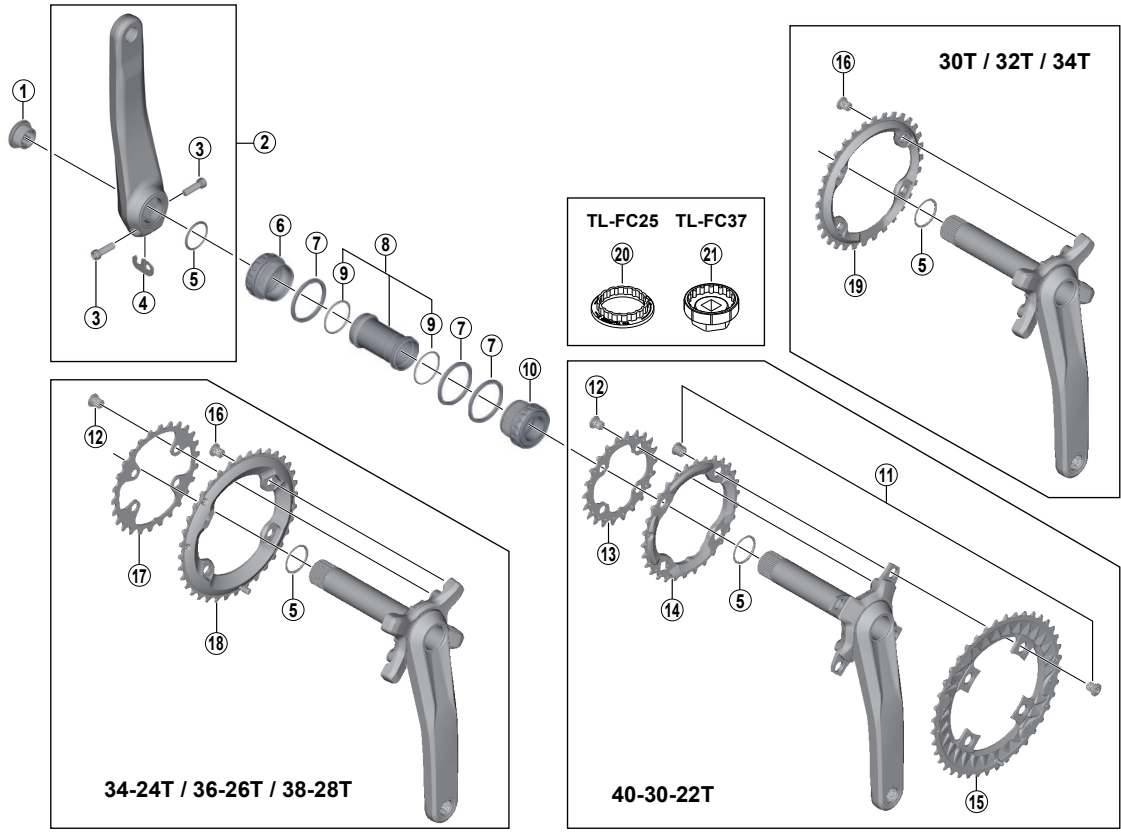


SLX Crankset

**FC-M7000 FC-M7000-B1/B2**  
**BB-MT800 SM-CRM70**



- Chaining teeth combinations: 40-30-22T / 38-28T / 36-26T / 34-24T / 34T / 32T / 30T
- Bolt circle diameter: 96 mm...(For outer gear and middle gear), 64 mm...(For inner gear)

FC-M8000  
FC-MT700

ITEM NO.	SHIMANO CODE NO.	DESCRIPTION	INTERCHANGEABILITY	
			FC-M8000	FC-MT700
1	Y1F811100	Crank Arm Fixing Bolt	A	A
2	Y1VE98020	Left Hand Crank Arm Unit 170 mm	B	B
	Y1VE98030	Left Hand Crank Arm Unit 175 mm	B	B
* 3	Y1GS21000	Clamp Bolt with Washer (M6 x 21)	A	A
4	Y1FU98120	Plate	A	A
5	Y1F316000	Ring	A	A
6	Y1V698010	Left Hand Adapter (B.C.1.37" x 24T) English Thread (BB-MT800)	A	A
7	Y1F813000	Spacer (2.5 mm)	A	A
8	Y1E598210	Inner Cover & O-Ring	A	A
9	Y1TF21000	O-Ring	A	A
10	Y1V698020	Right Hand Adapter (B.C.1.37" x 24T) English Thread (BB-MT800)	A	A
11	Y1NW98030	Gear Fixing Bolt (M8 x 8.5 / 1 Unit = 4 pcs.) & Nut (1 Unit = 4 pcs.)		
12	Y1NV98040	Inner Gear Fixing Bolt (M8 x 8.5 / 1 Unit = 4 pcs.)	A	A
13	Y1NW22000	Chainring 22T-AN for 40-30-22T		
14	Y1NW98010	Chainring 30T-AN for 40-30-22T		
15	Y1VE98010	Chainring 40T-AN for 40-30-22T		
16	Y1MM98100	Gear Fixing Bolt (M8 x 8.5 / 1 Unit = 4 pcs.)	B	A
	Y1VG24000	Chainring 24T-BB for 34-24T	B	B
	Y1VG26000	Chainring 26T-BC for 36-26T	B	B
	Y1VG28000	Chainring 28T-BD for 38-28T	B	
17	Y1VG98010	Chainring 34T-BB for 34-24T	B	B
	Y1VG98020	Chainring 36T-BC for 36-26T	B	B
	Y1VG98030	Chainring 38T-BD for 38-28T	B	
18	ISMCRM70A0	Chainring 30T (SM-CRM70)	B	
	ISMCRM70A2	Chainring 32T (SM-CRM70)	B	
	ISMCRM70A4	Chainring 34T (SM-CRM70)	B	
19	Y13009260	TL-FC25 Adapter Installation Tool	A	A
20	Y13009270	TL-FC37 Adapter Installation Tool	A	A

A: Same parts.  
 B: Parts are usable, but differ in materials, appearance, finish, size, etc.  
 Absence of mark indicates non-interchangeability.

Specifications are subject to change without notice.

