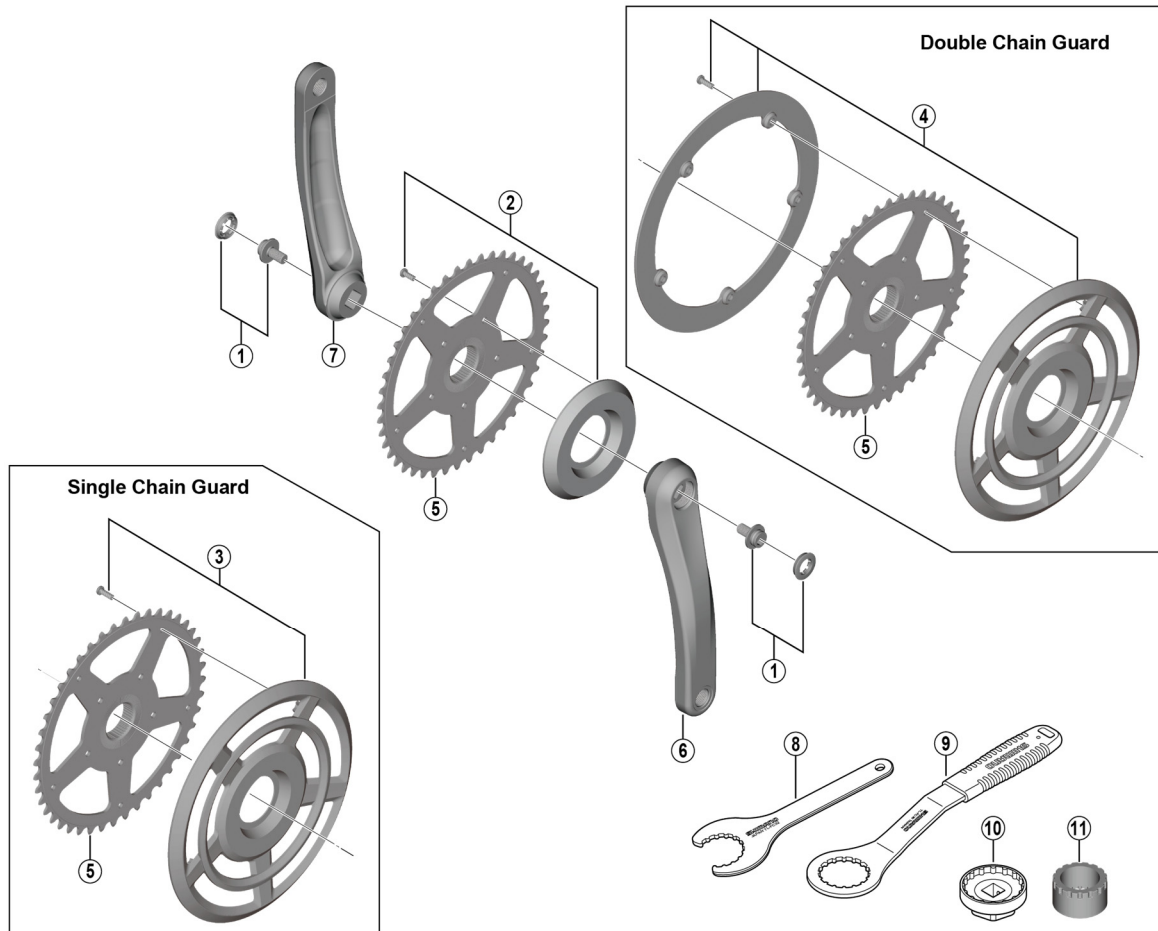


E6000 Series Crankset

FC-E6010 SM-CRE60



FC-E6000

ITEM NO.	SHIMANO CODE NO.	DESCRIPTION	INTERCHANGEABILITY	
1	Y1FP98010	Crank Arm Fixing Bolt & Cap	B	
2	Y1R298020	Chain Ring Cover & Fixing Bolt (5 pcs.)		
3	Y1R298030	38T Single Chain Ring Cover (1 pc) & Fixing Bolt (1 Unit = 5 pcs.) for Black		
	Y1R298070	38T Single Chain Ring Cover (1 pc) & Fixing Bolt (1 Unit = 5 pcs.) for Gray		
	Y1R298040	44T Single Chain Ring Cover (1 pc) & Fixing Bolt (1 Unit = 5 pcs.) for Black		
	Y1R298080	44T Single Chain Ring Cover (1 pc) & Fixing Bolt (1 Unit = 5 pcs.) for Gray		
4	Y1R298050	38T Double Chain Ring Cover (1 pc) & Fixing Bolt (1 Unit = 5 pcs.) for Black		
	Y1R298090	38T Double Chain Ring Cover (1 pc) & Fixing Bolt (1 Unit = 5 pcs.) for Gray		
	Y1R298060	44T Double Chain Ring Cover (1 pc) & Fixing Bolt (1 Unit = 5 pcs.) for Black		
5	Y1R298100	44T Double Chain Ring Cover (1 pc) & Fixing Bolt (1 Unit = 5 pcs.) for Gray		
	Y1Y400001	Chain Ring 38T (SM-CRE60)		
6	Y1Y400002	Chain Ring 44T (SM-CRE60)		
	Y1WT05010	Right Hand Crank Arm 170 mm (Black)	B	
	Y1WT05000	Right Hand Crank Arm 170 mm (Gray)	B	
	Y1WT03010	Right Hand Crank Arm 175 mm (Black)	B	
	Y1WT03000	Right Hand Crank Arm 175 mm (Gray)	B	
7	Y1WT05110	Left Hand Crank Arm 170 mm (Black)	B	
	Y1WT05100	Left Hand Crank Arm 170 mm (Gray)	B	
	Y1WT03110	Left Hand Crank Arm 175 mm (Black)	B	
	Y1WT03100	Left Hand Crank Arm 175 mm (Gray)	B	
8	Y13009210	TL-FC32 Adapter Removal Tool		
9	Y13098000	TL-FC36 Adapter Removal Tool		
10	Y13009230	TL-FC33 Adapter Removal Tool		
11	YEZY00010	TL-FC38 Adapter Removal Tool		

A: Same parts.

B: Parts are usable, but differ in materials, appearance, finish, size, etc.

Absence of mark indicates non-interchangeability.

Specifications are subject to change without notice.

Jul.-2017-4292

© Shimano Inc. I

SHIMANO