

E6000 Series Drive Unit

DU-E6000 Drive Unit with Cover

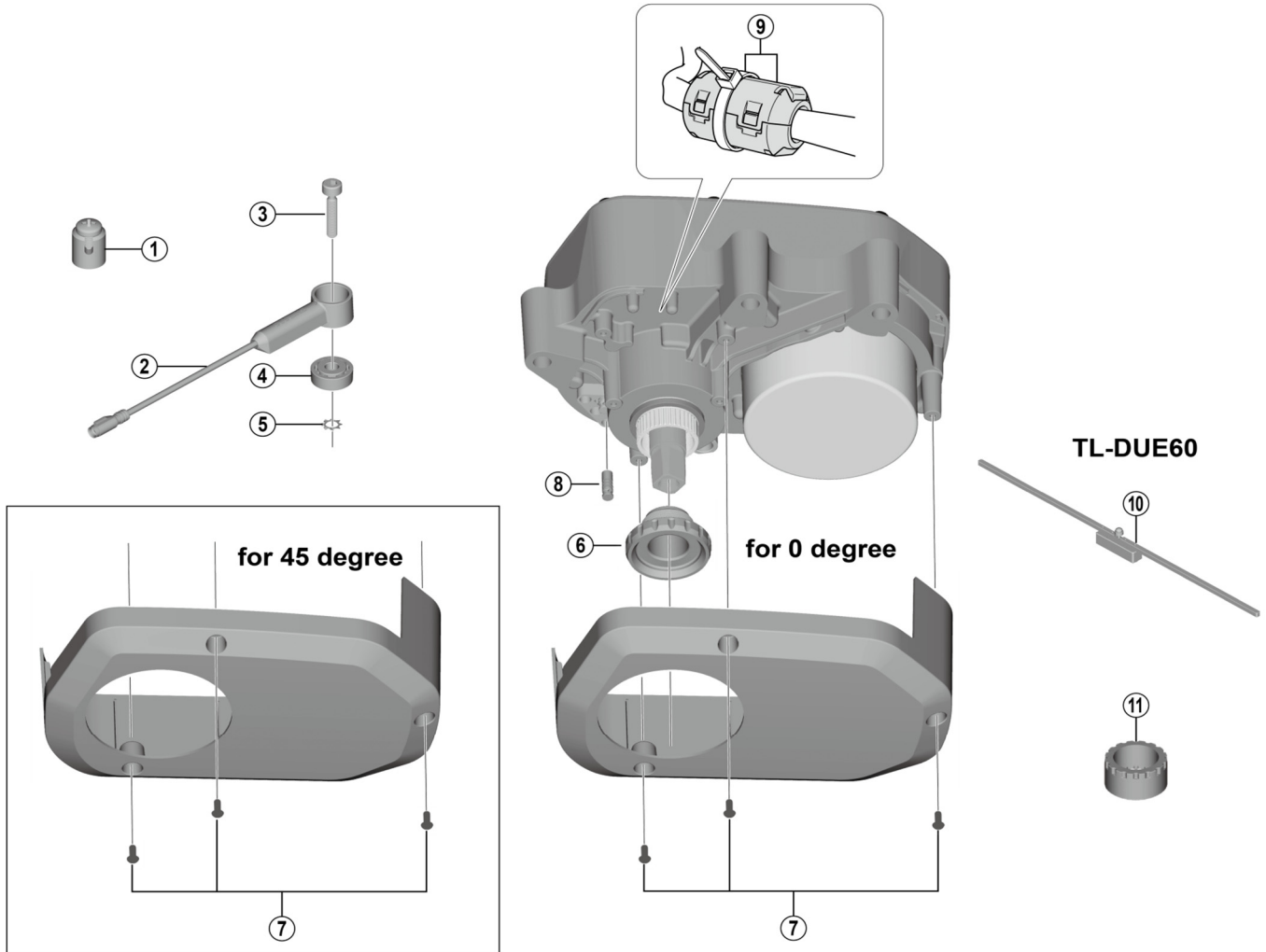
DU-E6010 Drive Unit

SM-DUE10 Speed Sensor Unit

DU-E6001 Drive Unit

DU-E6050 Drive Unit

SM-DUE60 0 degree/45 degree Drive Unit Cover



ITEM NO.	SHIMANO CODE NO.	DESCRIPTION
1	Y72H98010	Magnet Unit
*	Y72H00011	Speed Sensor L340
2	Y72H00007	Speed Sensor L540
	Y72H00010	Speed Sensor L1400
	Y70L000G0	Speed Sensor Fixing Bolt L16 (4 mm Hexagon Head)
	Y70L000U0	Speed Sensor Fixing Bolt L22 (4 mm Hexagon Head)
*	Y72H00012	Speed Sensor Fixing Bolt L16 (HEXALOBULAR T25 Head)
*	Y72H00013	Speed Sensor Fixing Bolt L22 (HEXALOBULAR T25 Head)
4	Y70L000F0	Spacer
5	Y70L000M0	Toothed Washer
6	Y70L00010	Lock Ring
7	Y70L98030	Fixing Bolts (M3 x 8) set for SM-DUE60 0 degree and 45 degree
8	Y6VE15000	Dummy Plug
9	Y70L98040	Ferrite Core & Zip Tie
10	YEZY00002	Chain tension measurement tool TL-DUE60
11	YEZY00010	TL-FC38 Adapter Removal Tool

A: Same parts.

B: Parts are usable, but differ in materials, appearance, finish, size, etc.

Absence of mark indicates non-interchangeability.

Specifications are subject to change without notice.

Mar.-2019-3761H

© Shimano Inc. I

SHIMANO