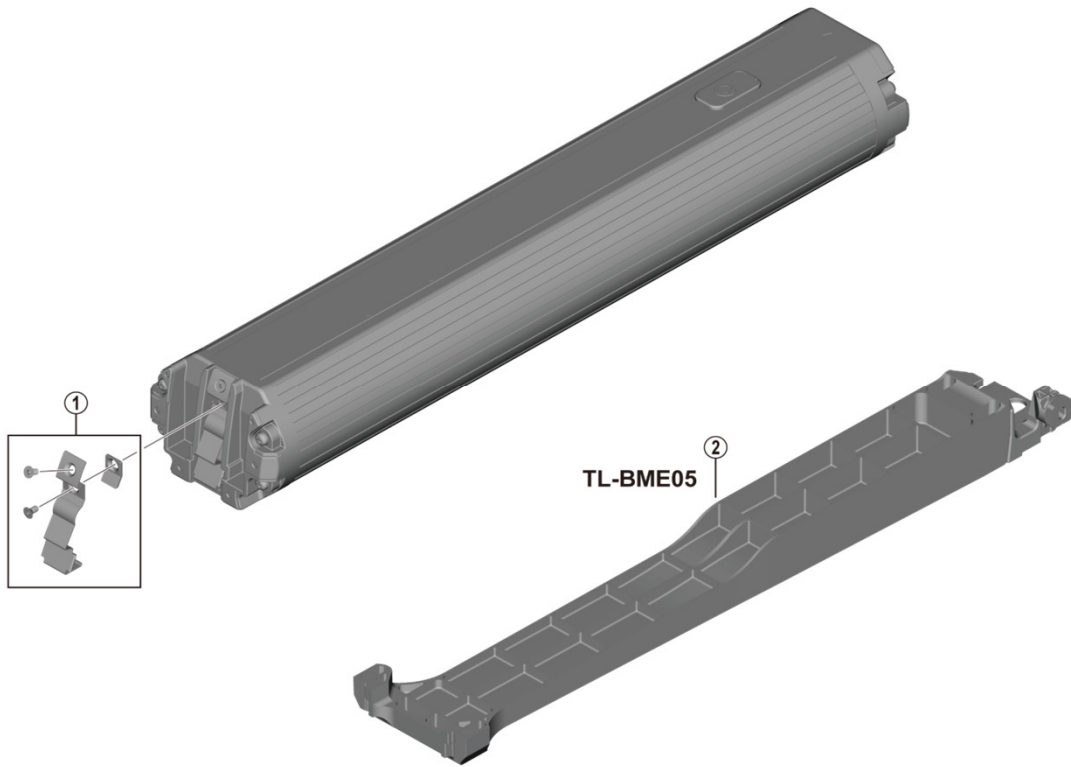


Battery  
**BT-E8035-L**



ITEM NO.	SHIMANO CODE NO.	DESCRIPTION	INTERCHANGEABILITY	
1	Y7GP00011	Double Latch Unit	A	
2	Y13000070	TL-BME05 Battery Mount Setting Tool		

A: Same parts.

B: Parts are usable, but differ in materials, appearance, finish, size, etc.

Absence of mark indicates non-interchangeability.

Specifications are subject to change without notice.

BT-E8035

Aug.-2020-4747

© Shimano Inc. I

**SHIMANO**