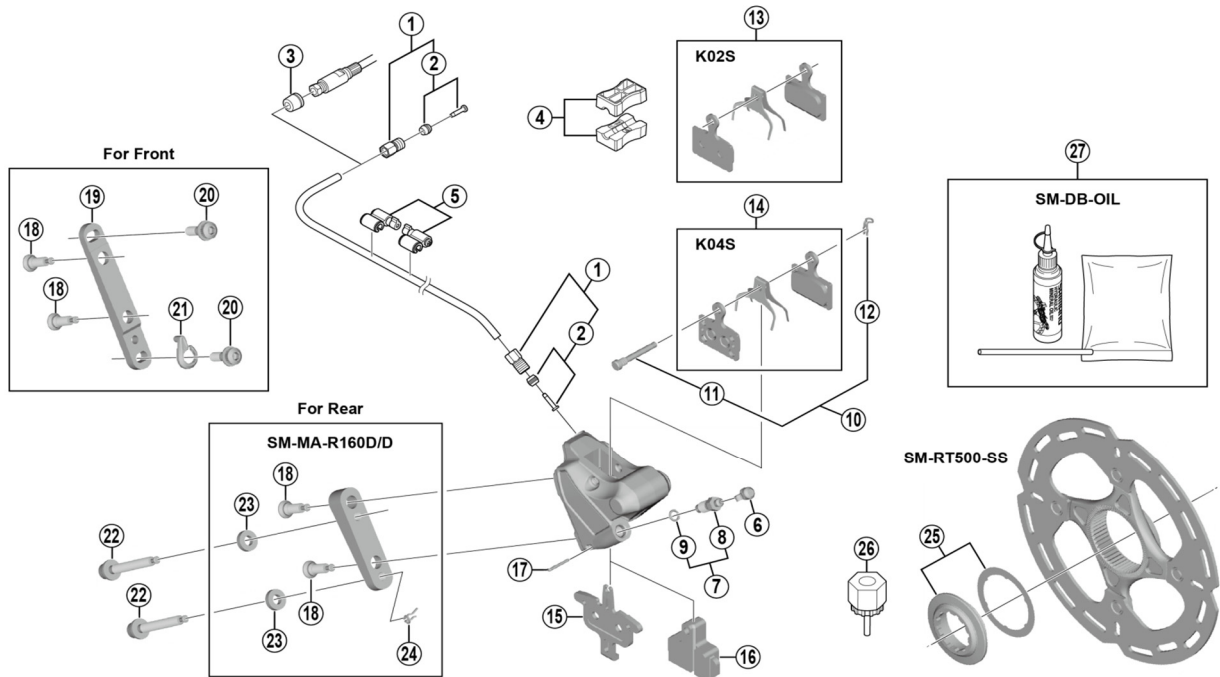


METREA Disc Brake
BR-U5000 Brake Caliper
SM-RT500-SS Disc Rotor

SM-BH59 Brake Hose



BR-R5505

ITEM NO.	SHIMANO CODE NO.	DESCRIPTION	INTERCHANGEABILITY
1	Y8AL98020	Connecting Bolt Unit	A
2	Y8H298040	Olive & Connector Insert	A
3	Y8H802000	Hose Cover for easy hose joint system, not used with easy hose joint direct system	A
4	Y8H198030	TL-BH61 Shimano original tool (2 pcs.)	A
5	Y83098040	SM-HANG Hose Supporter A & B	A
6	Y8B214000	Bleed Nipple Cap	A
7	Y8CL98050	Bleed Nipple & Seal Ring	A
8	Y8CL24000	Bleed Nipple	A
9	Y8B511001	O-Ring for Bleed Nipple	A
10	Y8J798060	Pad Axle & Snap Retainer	A
11	Y8J710000	Pad Axle	A
12	Y8J716000	Snap Retainer	A
13	Y8N398010	Resin Pad (K02S) & Spring	A
14	Y8N398020	Metal Pad (K04S) & Spring	A
15	Y8N218000	Pad Spacer	A
16	Y8N219000	Bleeding Spacer	A
17	Y8N207000	Bolt Fixing Pin	A
18	Y8N206000	Caliper Fixing Bolt B	A
19	Y8N230000	Front Caliper Mount Bracket	A
20	Y8N204000	Caliper Fixing Bolt A	A
21	Y8N205000	Snap Ring	A
22	Y8N208000	Caliper Fixing Bolt C for 10 mm Rear mount thickness	A
	Y8N208050	Caliper Fixing Bolt C for 15 mm Rear mount thickness	A
	Y8N208010	Caliper Fixing Bolt C for 20 mm Rear mount thickness	A
	Y8N208020	Caliper Fixing Bolt C for 25 mm Rear mount thickness	A
	Y8N208030	Caliper Fixing Bolt C for 30 mm Rear mount thickness	A
23	Y8NU02000	Washer for R160 Adapter	A
	Y8NU03000	Snap Retainer	A
24	Y8NU03000	Snap Retainer	A
25	Y8K198010	Lock Ring & Washer	A
26	Y12009230	TL-LR15 Lock Ring Removal Tool	A
27	Y83998010	Mineral Oil Bleed Kit (50 ml)	A

A: Same parts.

B: Parts are usable, but differ in materials, appearance, finish, size, etc.

Absence of mark indicates non-interchangeability.

Specifications are subject to change without notice.

Feb.-2018-3962A

© Shimano Inc. I

SHIMANO