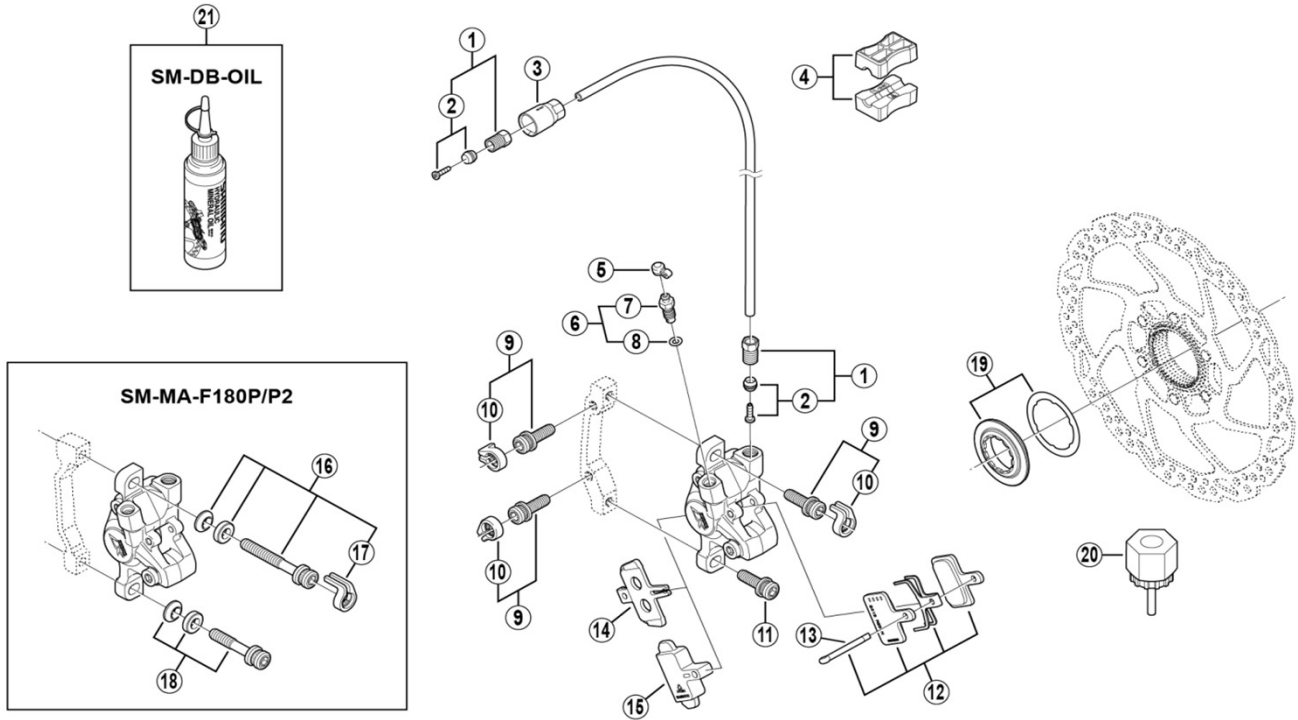


DEORE LX Front Disc Brake
BR-T675-F Brake Caliper
SM-RT54 Disc Rotor

SM-BH90-SS Brake Hose



ITEM NO.	SHIMANO CODE NO.	DESCRIPTION
1	Y8KH98010	Flare Nut Unit
2	Y8JA98020	Olive and Connector Insert
3	Y8JA07010	Cover
4	Y8H198030	TL-BH61 Shimano original tool (2 pcs.)
5	Y8B214000	Bleed Nipple Cap
6	Y8ES98020	Bleed Nipple and Seal Ring
7	Y8CL24100	Bleed Nipple
8	Y8B511000	O-Ring for Bleed Nipple
* 9	Y2F398020	Caliper Fixing Screw (M6 x 18.7) and Snap Ring
* 10	Y2RT06000	Snap Ring
11	Y8C509020	Caliper Fixing Screw (M6 x 18.7)
* 12	EBPB01SRESINA	B01S Resin Pad and Spring with Split Pin 3 Type
* 13	Y8DB06100	Split Pin
14	Y8J506000	Pad Spacer
15	Y8FZ05000	Bleeding Spacer
* 16	Y2RT98020	Caliper Fixing Screw Unit (M6 x 37.9)
* 17	Y2RT07000	Snap Ring
18	Y8G498030	Caliper Fixing Screw Unit (M6 x 32.1)
19	Y8K998010	Lock Ring (Black) and Washer
20	Y12009230	TL-LR15 Lock Ring Removal Tool
* 21	Y83998020	Mineral Oil (100 ml)
* 21	Y83998030	Mineral Oil (500 ml)

Aug.-2020-3308A
 © Shimano Inc. I

Specifications are subject to change without notice.

SHIMANO