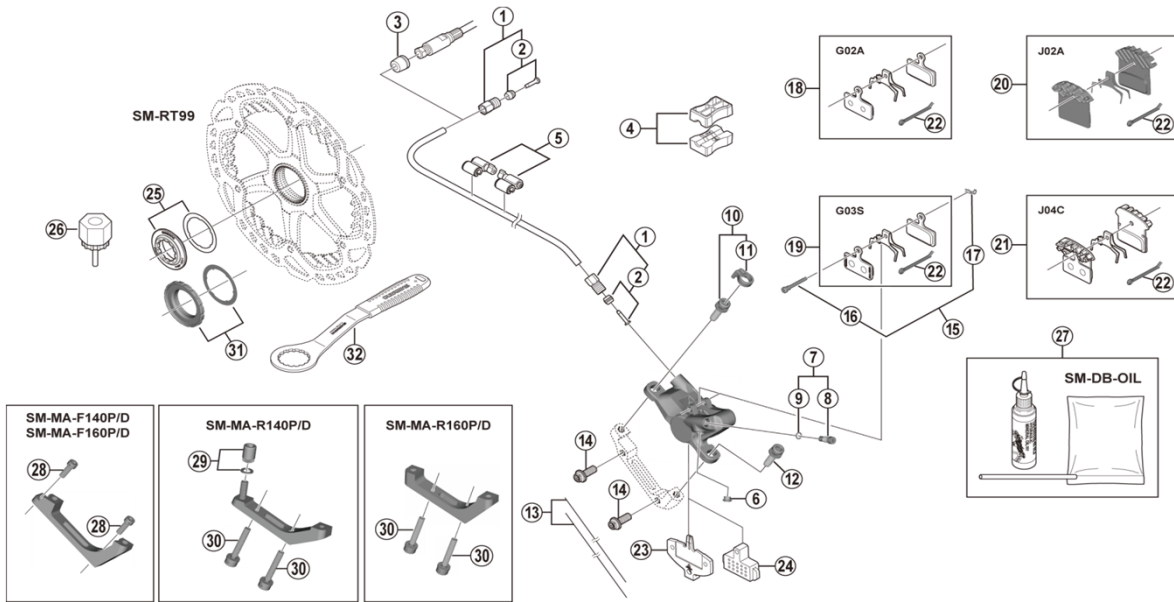


Disc Brake

BR-RS785 Brake Caliper
SM-RT99 Disc Rotor

SM-BH59 Brake Hose



BR-R785

ITEM NO.	SHIMANO CODE NO.	DESCRIPTION	INTERCHANGEABILITY		
1	Y8AL98020	Connecting Bolt Unit			
2	Y8H298040	Olive & Connector Insert			
3	Y8H802000	Hose Cover for easy hose joint system, not used with easy hose joint direct system	A		
4	Y8H198030	TL-BH61 Shimano original tool (2 pcs.)	A		
5	Y83098040	SM-HANG Hose Supporter A & B	A		
6	Y88F06000	Bleed Boss Cap			
7	Y8LS98030	Bleed Screw & Nipple Seal			
	Y8LS98010	Bleed Screw & Nipple Seal (Discontinued)			
8	Y8VZ07000	Bleed Screw			
	Y8LS06000	Bleed Screw (Discontinued)			
9	Y8B511001	Bleed Nipple Seal	A		
10	Y8LS98020	Caliper Fixing Bolt (M6 x 18.7) & Snap Ring	B		
11	Y8C511000	Snap Ring	A		
12	Y8LS05000	Caliper Fixing Bolt (M6 x 18.7)	B		
13	Y8B298010	Wire (2 pcs.)	A		
14	Y8J721000	Caliper Fixing Bolt (M6 x 15.2)	A		
15	Y8J798060	Pad Axle & Snap Retainer	A		
16	Y8J710000	Pad Axle	A		
17	Y8J716000	Snap Retainer	A		
18	Y8LW98020	Resin Pad (G02A) & Spring w/Split Pin	B		
19	Y8JZ98020	Metal Pad (G03S) & Spring w/Split Pin	B		
20	Y8LW98040	Resin Pad (J02A) w/Fin & Spring w/Split Pin	B		
21	Y8LW98030	Metal Pad (J04C) w/Fin & Spring w/Split Pin	B		
22	Y8DB06100	Split Pin			
23	Y8J709000	Pad Spacer	A		
24	Y8J712000	Bleeding Spacer	A		
25	Y8K198010	Lock Ring & Washer	A		
26	Y12009230	TL-LR15 Lock Ring Removal Tool	A		
27	Y83998010	Mineral Oil Bleed Kit (50 ml)	A		
28	Y81741100	Converter Fixing Bolt (M5 x 14)			
29	Y81798020	Caliper Fixing Nut & Washer			
30	Y81743100	Converter Fixing Bolt (M5 x 16.8) for 10 mm Rear mount thickness			
	Y81743150	Converter Fixing Bolt (M5 x 21.8) for 15 mm Rear mount thickness			
	Y81743200	Converter Fixing Bolt (M5 x 26.8) for 20 mm Rear mount thickness			
	Y81743250	Converter Fixing Bolt (M5 x 31.8) for 25 mm Rear mount thickness			
	Y81743300	Converter Fixing Bolt (M5 x 36.8) for 30 mm Rear mount thickness			
	Y81743350	Converter Fixing Bolt (M5 x 41.8) for 35 mm Rear mount thickness			
* 31	Y26L98030	Lock Ring & Washer (Externally serrated type)			
* 32	Y13098000	TL-FC36 Lock Ring Removal Tool			

A: Same parts.

B: Parts are usable, but differ in materials, appearance, finish, size, etc.

Absence of mark indicates non-interchangeability.

Specifications are subject to change without notice.

Dec.-2018-3743F

© Shimano Inc. I

SHIMANO