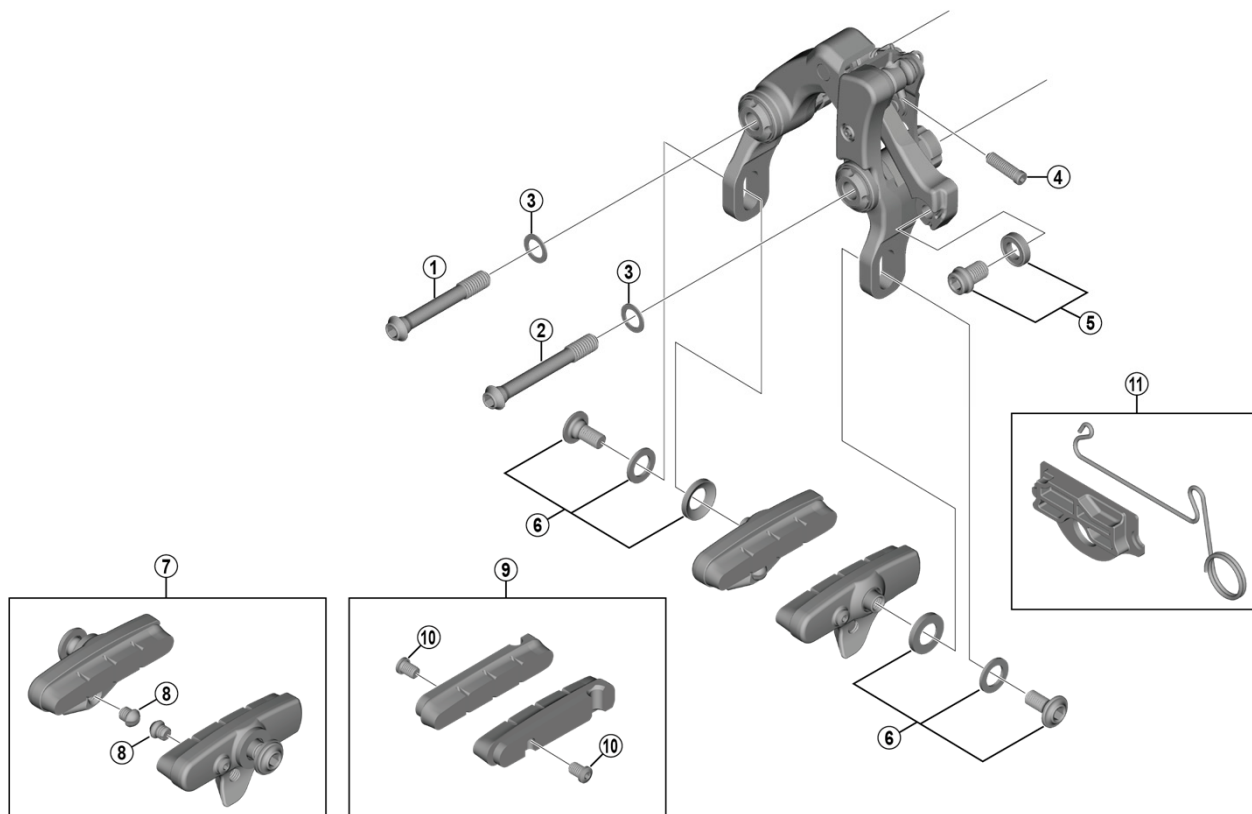


ULTEGRA Caliper Brake BR-R8010-R For Rear



ITEM NO.	SHIMANO CODE NO.	DESCRIPTION
1	Y8LC23000	Fixing screw C (M6 x 39.6)
2	Y8LC22000	Fixing screw Y (M6 x 44.6)
3	Y8BC08000	Arm washer
4	Y6AM82400	EC-screw (M4 x 13.5)
* 5	Y8RW98010	Cable fixing screw and plate
6	Y8G698090	Shoe fixing screw unit (M5 x 11.2)
7	Y8LB98010	R55C4 Cartridge-type brake shoe set (pair)
8	Y8FA16000	Tire guide
9	Y8L298060	R55C4 Cartridge-type brake shoes and fixing bolts (pair)
	Y8L298070	R55C4 Cartridge-type brake shoes and fixing bolts (pair) for carbon rim
	Y8PP98060	R55C4-A Cartridge-type brake shoes (-1 mm thinner shoe) and fixing bolts (pair) for carbon rim
10	Y8L227000	Fixing screw (M4 x 5.5)
11	Y8L398040	Assembly jig

Dec.-2020-4253A
© Shimano Inc. I

Specifications are subject to change without notice.

SHIMANO