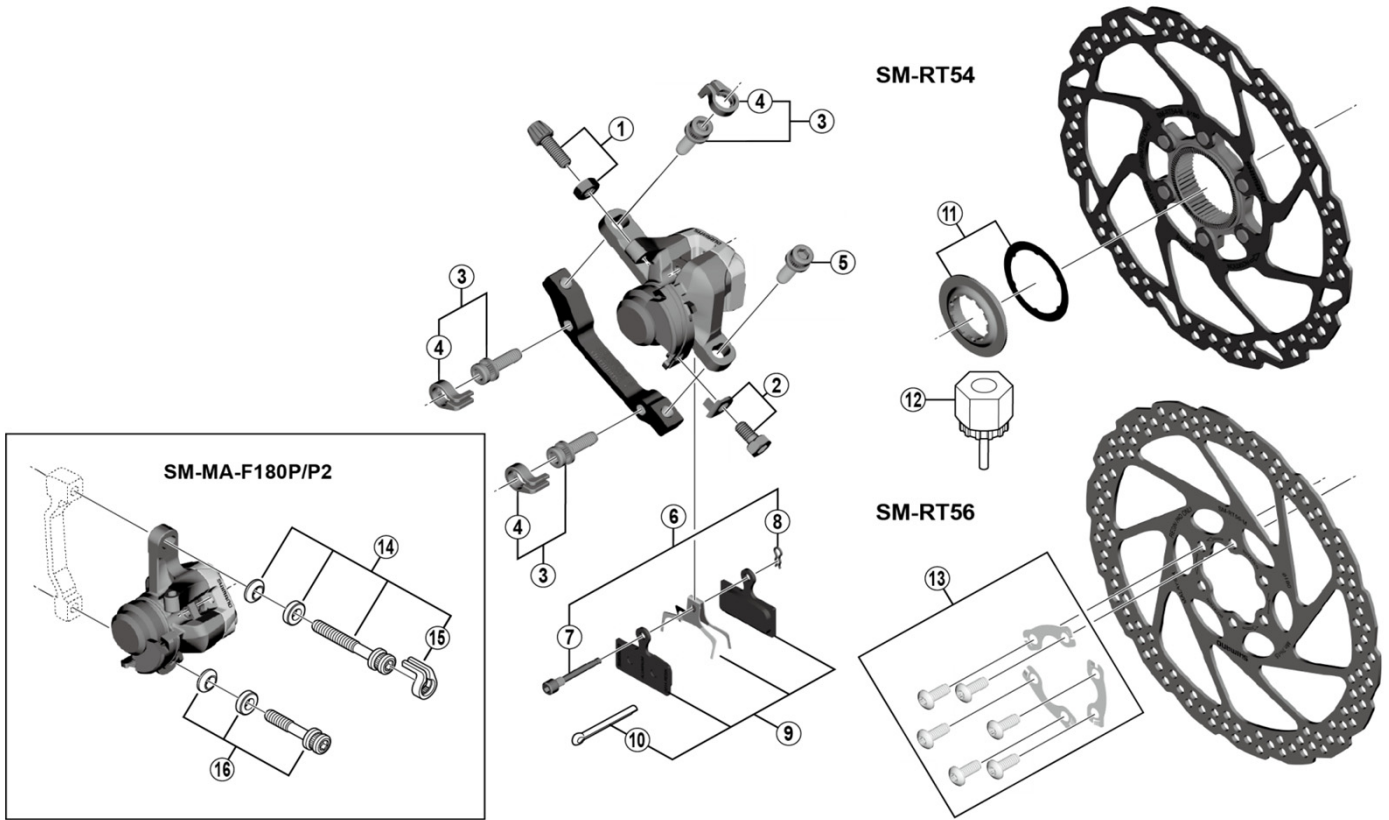


Disc Brake
BR-R317 Brake Caliper

SM-RT54 Disc Rotor/Center Lock
SM-RT56 Disc Rotor/6-Bolt



ITEM NO.	SHIMANO CODE NO.	DESCRIPTION	INTERCHANGEABILITY	
			BR-R317	BR-M375
1	Y8JW98010	Cable Adjusting Bolt and Nut		A
2	Y8LH98010	Cable Fixing Screw (M6 x 10.8) and Plate		
* 3	Y2F398020	Caliper Fixing Screw (M6 x 18.7) and Snap Ring	A	A
* 4	Y2RT06000	Snap Ring	A	A
5	Y8C509020	Caliper Fixing Screw (M6 x 18.7)	A	A
6	Y8KZ98020	Pad Axle and Snap Retainer	A	
7	Y8EB12000	Pad Axle	A	
8	Y8B212000	Snap Retainer	A	
* 9	Y8WW98030	G03S Resin Pad and Spring with Split Pin	A	
10	Y8DB06100	Split Pin	A	
* 11	Y8KU98010	Lock Ring (Black) and Washer		
12	Y12009230	TL-LR15 Lock Ring Removal Tool	A	A
13	Y8KT98010	Rotor Fixing Screw and Lock Washer		
* 14	Y2RT98020	Caliper Fixing Screw Unit (M6 x 37.9)	A	
* 15	Y2RT07000	Snap Ring	A	
16	Y8G498030	Caliper Fixing Screw Unit (M6 x 32.1)	A	

A: Same parts.

B: Parts are usable, but differ in materials, appearance, finish, size, etc.

Absence of mark indicates non-interchangeability.

Specifications are subject to change without notice.

Aug.-2020-3646A

© Shimano Inc. I

SHIMANO