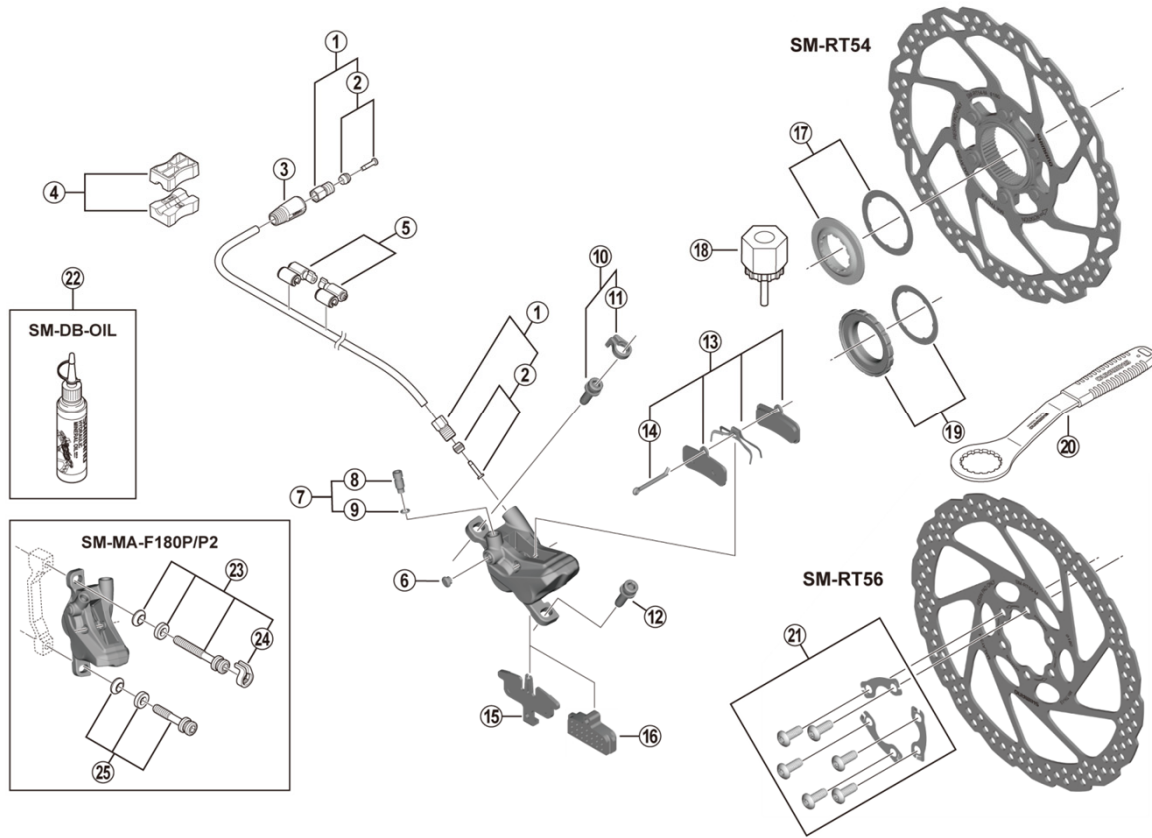


Disc Brake
BR-MT420 Brake Caliper
SM-BH90-SS Brake Hose

SM-RT54 Disc Rotor/Center Lock
SM-RT56 Disc Rotor/6-Bolt



| ITEM NO. | SHIMANO CODE NO. | DESCRIPTION | INTERCHANGEABILITY | |
|----------|------------------|--|--------------------|--|
| 1 | Y8KH98010 | Flare Nut Unit | A | |
| 2 | Y8JA98020 | Olive and Connector Insert | | |
| 3 | Y8WM14000 | Cover | A | |
| 4 | Y8H198030 | TL-BH61 Shimano original tool (2 pcs.) | A | |
| 5 | Y83098040 | SM-HANG Hose Supporter A and B | A | |
| 6 | Y88F06000 | Bleed Boss Cap | A | |
| 7 | Y8LS98030 | Bleed Screw and O-Ring | A | |
| 8 | Y8VZ07000 | Bleed Screw | A | |
| 9 | Y8B511001 | O-Ring | A | |
| * 10 | Y2F398020 | Caliper Fixing Screw (M6 x 18.7) and Snap Ring | A | |
| * 11 | Y2RT06000 | Snap Ring | A | |
| 12 | Y8C509020 | Caliper Fixing Screw (M6 x 18.7) | A | |
| 13 | Y1XM98010 | D03S Resin Pad and Spring with Split Pin | | |
| 14 | Y8DB06100 | Split Pin | A | |
| 15 | Y1Y003000 | Pad Spacer | | |
| 16 | Y8FF19000 | Bleeding Spacer | | |
| * 17 | Y8KU98010 | Lock Ring (Black) and Washer | A | |
| 18 | Y12009230 | TL-LR15 Lock Ring Removal Tool | A | |
| 19 | Y24698030 | Lock Ring and Washer (External spline type) | A | |
| 20 | Y13098000 | TL-FC36 Lock Ring Removal Tool | A | |
| 21 | Y8KT98010 | Rotor Fixing Screw and Lock Washer | A | |
| 22 | Y83998020 | Mineral Oil (100 ml) | A | |
| | Y83998030 | Mineral Oil (500 ml) | A | |
| * 23 | Y2RT98020 | Caliper Fixing Screw Unit (M6 x 37.9) | A | |
| * 24 | Y2RT07000 | Snap Ring | A | |
| 25 | Y8G498030 | Caliper Fixing Screw Unit (M6 x 32.1) | A | |

A: Same parts.

B: Parts are usable, but differ in materials, appearance, finish, size, etc.

Absence of mark indicates non-interchangeability.

Specifications are subject to change without notice.

Aug.-2020-4544A

© Shimano Inc. I

SHIMANO