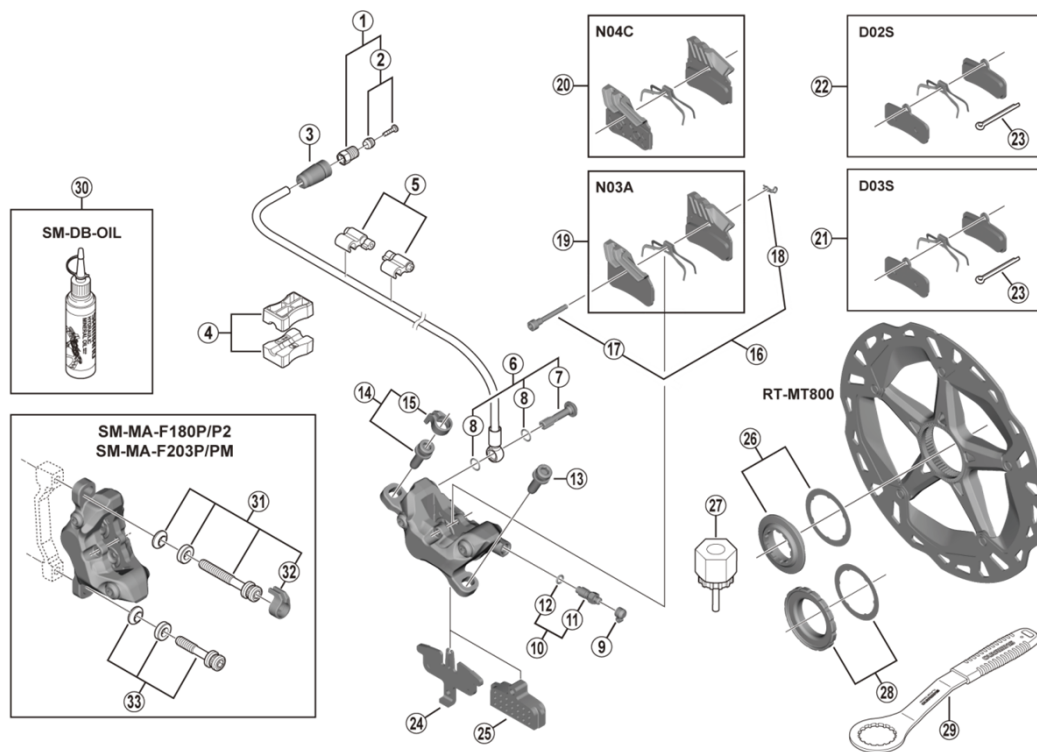


DEORE XT Disc Brake
BR-M8120 Brake Caliper
RT-MT800 Disc Rotor

SM-BH90-SBM Brake Hose



ITEM NO.	SHIMANO CODE NO.	DESCRIPTION
1	Y8JA98010	Flare Nut Unit
2	Y8JA98020	Olive & Connector Insert
3	Y1XJ16000	Cover
4	Y8H198030	TL-BH61 Shimano original tool (2 pcs.)
5	Y83098040	SM-HANG Hose Supporter A & B
6	Y2RV98010	Banjo Screw & O-Ring
7	Y2RV06000	Banjo Screw
8	Y8SY28000	O-Ring
9	Y8B214000	Bleed Nipple Cap
10	Y8CL98050	Bleed Nipple & Seal Ring
11	Y8CL24200	Bleed Nipple
12	Y8B511001	O-Ring for Bleed Nipple
13	Y8C509020	Caliper Fixing Screw (M6 x 18.7)
14	Y2F398020	Caliper Fixing Screw (M6 x 18.7) & Snap Ring
15	Y2RT06000	Snap Ring
16	Y8JZ98010	Pad Axle & Snap Retainer
17	Y8JZ05000	Pad Axle
18	Y8J716000	Snap Retainer
19	Y1XD98010	Resin Pad (N03A) w/Fin & Spring
20	Y1XD98020	Metal Pad (N04C) w/Fin & Spring
21	Y1XM98010	Resin Pad (D03S) & Spring w/Split Pin
22	Y8FF98010	Metal Pad (D02S) & Spring w/Split Pin
23	Y8DB06100	Split Pin
24	Y1Y003000	Pad Spacer
25	Y8FF19000	Bleeding Spacer
26	Y8K198010	Lock Ring & Washer
27	Y12009230	TL-LR15 Lock Ring Removal Tool
28	Y2A598030	Lock Ring & Washer (External spline type)
29	Y13098000	TL-FC36 Lock Ring Removal Tool
30	Y83998020	Mineral Oil (100 ml)
	Y83998030	Mineral Oil (500 ml)
*	Y2RT98020	Caliper Fixing Screw Unit (M6 x 37.9) for SM-MA-F180P/P2
*	Y2RT98030	Caliper Fixing Screw Unit (M6 x 40.2) for SM-MA-F203P/PM
*	Y2RT07000	Snap Ring
	Y8G498030	Caliper Fixing Screw Unit (M6 x 32.1) for SM-MA-F180P/P2
	Y8J498020	Caliper Fixing Screw Unit (M6 x 34.4) for SM-MA-F203P/PM

Feb.-2020-4506A
 © Shimano Inc. I

Specifications are subject to change without notice.

SHIMANO