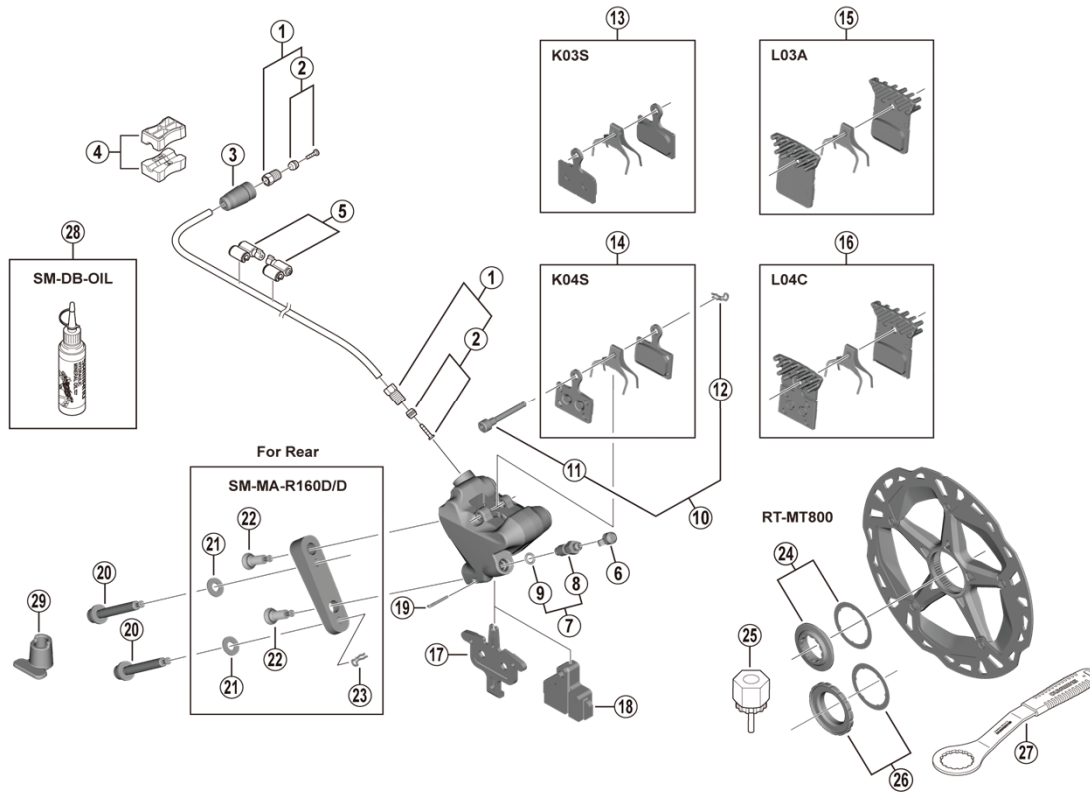


DEORE XT Disc Brake  
**BR-M8110** Brake Caliper  
**RT-MT800** Disc Rotor

**SM-BH90-SS** Brake Hose



ITEM NO.	SHIMANO CODE NO.	DESCRIPTION	INTERCHANGEABILITY
1	Y8JA98010	Flare Nut Unit	A
2	Y8JA98020	Olive & Connector Insert	A
3	Y1XJ16000	Cover	A
4	Y8H198030	TL-BH61 Shimano original tool (2 pcs.)	A
5	Y83098040	SM-HANG Hose Supporter A & B	A
6	Y8B214000	Bleed Nipple Cap	A
7	Y8CL98050	Bleed Nipple & Seal Ring	A
8	Y8CL24200	Bleed Nipple	A
9	Y8B511001	O-Ring for Bleed Nipple	A
10	Y8JZ98010	Pad Axle & Snap Retainer	A
11	Y8JZ05000	Pad Axle	
12	Y8J716000	Snap Retainer	A
13	Y8Y898010	Resin Pad (K03S) & Spring	A
14	Y8N398020	Metal Pad (K04S) & Spring	A
15	Y8PU98040	Resin Pad (L03A) w/Fin & Spring	
16	Y8N398040	Metal Pad (L04C) w/Fin & Spring	
17	Y8N218000	Pad Spacer	A
18	Y8N219000	Bleeding Spacer	A
19	Y8N207000	Screw Fixing Pin	A
	Y8N208010	Caliper Fixing Screw C for 20 mm Rear mount thickness	B
20	Y8N208020	Caliper Fixing Screw C for 25 mm Rear mount thickness	B
	Y8N208030	Caliper Fixing Screw C for 30 mm Rear mount thickness	B
21	Y8NU02000	Washer for R160 Adapter	A
22	Y8N206000	Caliper Fixing Screw B	A
23	Y8NU03000	Snap Retainer	A
24	Y8K198010	Lock Ring & Washer	
25	Y12009230	TL-LR15 Lock Ring Removal Tool	A
26	Y2A598030	Lock Ring & Washer (External spline type)	
27	Y13098000	TL-FC36 Lock Ring Removal Tool	A
28	Y83998020	Mineral Oil (100 ml)	A
	Y83998030	Mineral Oil (500 ml)	A
29	Y8N221000	Screw Length Selector	A

A: Same parts.

B: Parts are usable, but differ in materials, appearance, finish, size, etc.

Absence of mark indicates non-interchangeability.

Specifications are subject to change without notice.

May-2020-4682

© Shimano Inc. I

**SHIMANO**