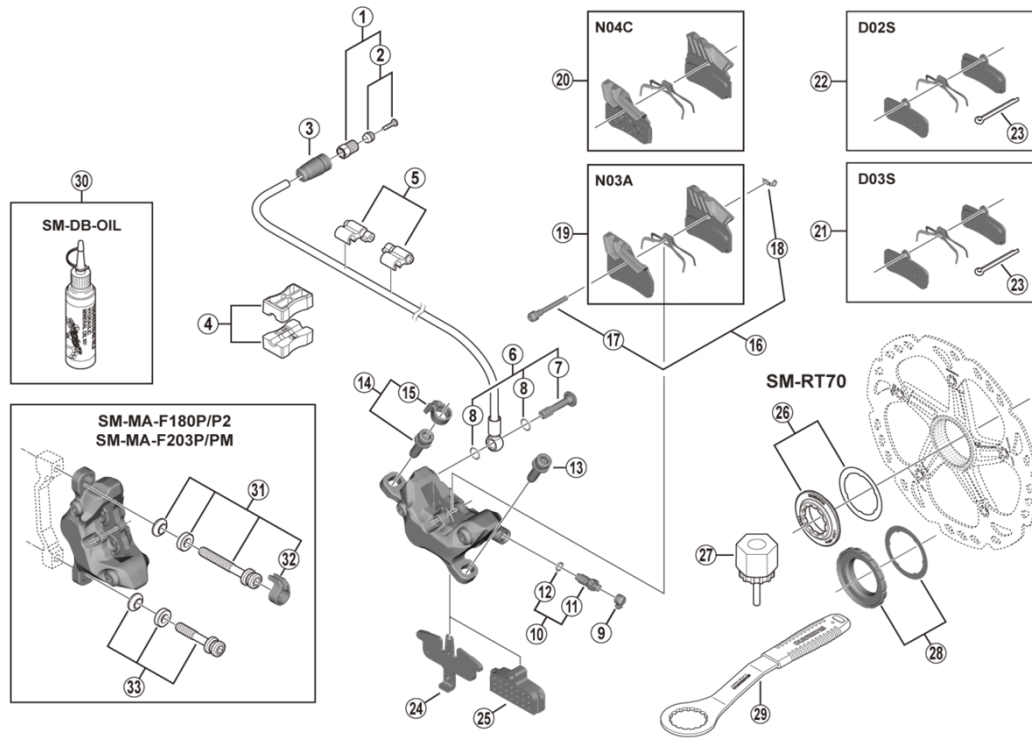


SLX Disc Brake  
**BR-M7120** Brake Caliper  
**SM-RT70** Disc Rotor

**SM-BH90-SBM** Brake Hose



ITEM NO.	SHIMANO CODE NO.	DESCRIPTION
1	<b>Y8JA98010</b>	Flare Nut Unit
2	<b>Y8JA98020</b>	Olive & Connector Insert
3	<b>Y1XJ16000</b>	Cover
4	<b>Y8H198030</b>	TL-BH61 Shimano original tool (2 pcs.)
5	<b>Y83098040</b>	SM-HANG Hose Supporter A & B
6	<b>Y2RV98010</b>	Banjo Screw & O-Ring
7	<b>Y2RV06000</b>	Banjo Screw
8	<b>Y8SY28000</b>	O-Ring
9	<b>Y8B214000</b>	Bleed Nipple Cap
10	<b>Y8CL98050</b>	Bleed Nipple & Seal Ring
11	<b>Y8CL24200</b>	Bleed Nipple
12	<b>Y8B511001</b>	O-Ring for Bleed Nipple
13	<b>Y8C509020</b>	Caliper Fixing Screw (M6 x 18.7)
14	<b>Y2F398020</b>	Caliper Fixing Screw (M6 x 18.7) & Snap Ring
15	<b>Y2RT06000</b>	Snap Ring
16	<b>Y8WW98010</b>	Pad Axle & Snap Retainer
17	<b>Y8EB12000</b>	Pad Axle
18	<b>Y8J716000</b>	Snap Retainer
19	<b>Y1XD98010</b>	Resin Pad (N03A) w/Fin & Spring
20	<b>Y1XD98020</b>	Metal Pad (N04C) w/Fin & Spring
21	<b>Y1XM98010</b>	Resin Pad (D03S) & Spring w/Split Pin
22	<b>Y8FF98010</b>	Metal Pad (D02S) & Spring w/Split Pin
23	<b>Y8DB06100</b>	Split Pin
24	<b>Y1Y003000</b>	Pad Spacer
25	<b>Y8FF19000</b>	Bleeding Spacer
26	<b>Y8P898010</b>	Lock Ring & Washer
27	<b>Y12009230</b>	TL-LR15 Lock Ring Removal Tool
28	<b>Y26L98030</b>	Lock Ring & Washer (External spline type)
29	<b>Y13098000</b>	TL-FC36 Lock Ring Removal Tool
30	<b>Y83998020</b>	Mineral Oil (100 ml)
	<b>Y83998030</b>	Mineral Oil (500 ml)
*	<b>Y2RT98020</b>	Caliper Fixing Screw Unit (M6 x 37.9) for SM-MA-F180P/P2
*	<b>Y2RT98030</b>	Caliper Fixing Screw Unit (M6 x 40.2) for SM-MA-F203P/PM
*	<b>Y2RT07000</b>	Snap Ring
	<b>Y8G498030</b>	Caliper Fixing Screw Unit (M6 x 32.1) for SM-MA-F180P/P2
	<b>Y8J498020</b>	Caliper Fixing Screw Unit (M6 x 34.4) for SM-MA-F203P/PM

Feb.-2020-4597A

© Shimano Inc. I

Specifications are subject to change without notice.

**SHIMANO**