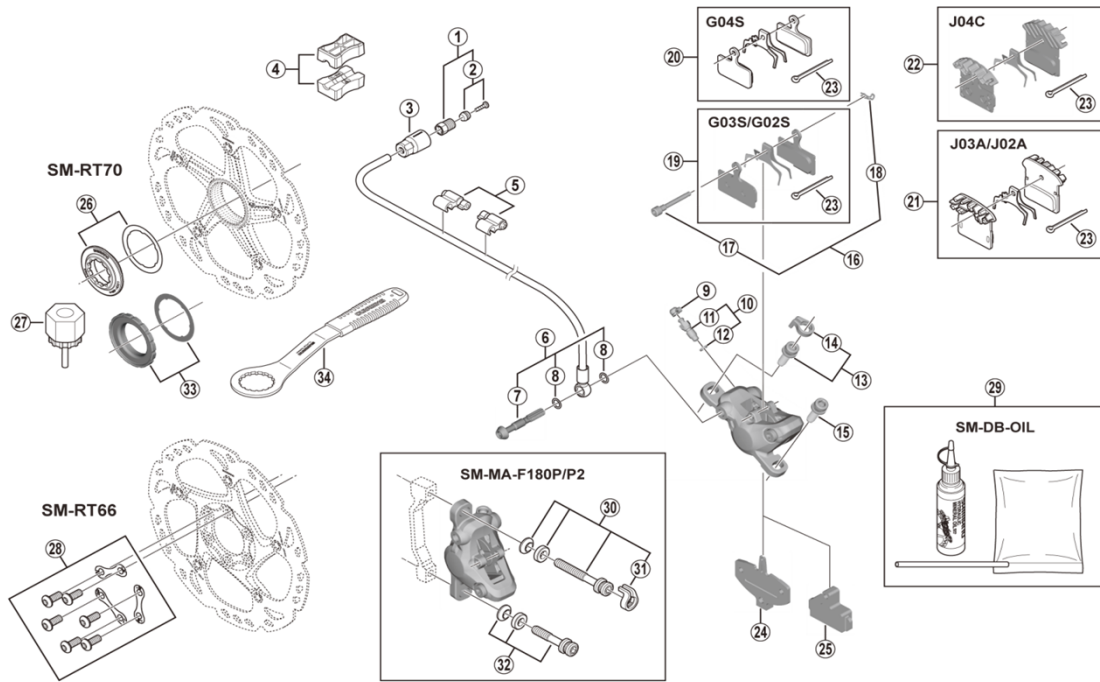


SLX Disc Brake
BR-M7000 Brake Caliper
SM-BH90-SB Brake Hose

SM-RT70 Disc Rotor/Center Lock
SM-RT66 Disc Rotor/6-Bolt



BR-M8000

BR-M785

ITEM NO.	SHIMANO CODE NO.	DESCRIPTION	INTERCHANGEABILITY	
1	Y8JA98010	Connecting Bolt Unit	A	A
2	Y8JA98020	Olive & Connector Insert	A	A
3	Y8JA07000	Cover	A	B
4	Y8H198030	TL-BH61 Shimano original tool (2 pcs.)	A	A
5	Y83098040	SM-HANG Hose Supporter A & B		
6	Y8JA98030	Banjo Bolt & O-Ring	A	A
7	Y8JA04000	Banjo Bolt	A	A
8	Y8SY28000	O-Ring	A	A
9	Y8B214000	Bleed Nipple Cap	A	A
10	Y8CL98050	Bleed Nipple & Seal Ring	A	A
11	Y8CL24200	Bleed Nipple	A	A
12	Y8B511001	O-Ring for Bleed Nipple	A	A
13	Y8DS98010	Caliper Fixing Bolt (M6 x 18.7) & Snap Ring	A	A
14	Y8C511000	Snap Ring	A	A
15	Y8C509020	Caliper Fixing Bolt (M6 x 18.7)	A	A
16	Y8WW98010	Pad Axle & Snap Retainer	B	B
17	Y8EB12000	Pad Axle	B	B
18	Y8J716000	Snap Retainer	A	A
19	Y8WW98030	Resin Pad (G03S) & Spring w/Split Pin		
	Y8WW98020	Resin Pad (G02S) & Spring w/Split Pin	B	B
20	Y8MY98010	Metal Pad (G04S) & Spring w/Split Pin	A	B
21	Y8Z298010	Resin Pad (J03A) w/Fin & Spring w/Split Pin		
	Y8LW98040	Resin Pad (J02A) w/Fin & Spring w/Split Pin	A	B
22	Y8LW98030	Metal Pad (J04C) w/Fin & Spring w/Split Pin	A	B
23	Y8DB06100	Split Pin	B	B
24	Y8J709000	Pad Spacer	A	A
25	Y8J712000	Bleeding Spacer	A	A
26	Y8P898010	Lock Ring & Washer	B	B
27	Y12009230	TL-LR15 Lock Ring Removal Tool	A	A
28	Y8KT98010	Rotor Fixing Bolt & Lock Washer	A	A
29	Y83998010	Mineral Oil Bleed Kit (50 ml)	A	A
30	Y8G498020	Caliper Fixing Bolt Unit (M6 x 37.9)	A	A
31	Y81703000	Snap Ring	A	A
32	Y8G498030	Caliper Fixing Bolt Unit (M6 x 32.1)	A	A
* 33	Y26L98030	Lock Ring & Washer (Externally serrated type)	A	
* 34	Y13098000	TL-FC36 Lock Ring Removal Tool	A	

A: Same parts.

B: Parts are usable, but differ in materials, appearance, finish, size, etc.

Absence of mark indicates non-interchangeability.

Specifications are subject to change without notice.

Dec.-2018-3980D

© Shimano Inc. I

SHIMANO